



3D SHOW ROOM



WECHAT



LINK IN



宁波九隆五金有限公司

NINGBO JIULONG HARDWARE CO.,LTD

NINGBO JIULONG INTERNATIONAL CO.,LTD

公司地址：浙江·宁波·宁海科技大道33号

Factory Add: NO.33 Technology Street, Ninghai,Ningbo

Office Add: 5F, Guangbo International Centre,No.1357

Yinxian Road,Ningbo,China

电话 (Tel) : 0086-574-82815295

手机 (Mob) : 0086-13989392999 (Wechat,WhatsApp)

传真 (Fax) : 0086-574-82815296

邮编 (P.C) : 315100

网址 (Web) : www.nb-jiulong.com / www.jltiedown.com

邮箱 (Email) : sales@jlhardware.com / jack@jlhardware.com



SINCE 1989

宁波九隆五金有限公司

NINGBO JIULONG HARDWARE CO.,LTD.

NINGBO JIULONG INTERNATIONAL CO.,LTD.

MACHINERY RIGGING HARDWARE

LASHING & LIFTING SOLUTIONS

CARGO CONTROL PRODUCTS

2024 EDITION



WEBSITE



BE WITH US, BE WITH SAFETY

NINGBO JIULONG HARDWARE presents the finest quality, most reliable tiedowns, and strap and chain assemblies, we are designed to exceed the requirements of government and social association, on the road you will appreciate our flatbed products benefit.

- ▶ Long wearing heavy-duty steel construction
- ▶ Versatile products for secure use on various applications
- ▶ Weather-resistant load control straps tested for strength
- ▶ Specially engineered construction for maximum durability
- ▶ Quick and easy securement
- ▶ Custom products for your specific application.



INDEX

COMPANY PROFILE
(01-04)

01 CHAIN LOAD BINDER
CHAIN&ACCESSORY (05-12)

02 WEB WINCH
FLATBED ACCESSORIES (13-23)

03 TIE DOWN STRAPS&ASSEMBLIES
SLINGS (24-45)

04 GENERAL HARDWARE (46-56)

05 ATTACHMENT HARDWARE (57-74)

06 LIFTING PRODUCTS (75-98)

07 CHAIN AND HOIST (99-126)

08 PACKAGE CARGO CONTROL
ONE WAY LASHING (127-134)

09 HAND RATCHET PULLER
HAND WINCH (135-142)

企业简介

宁波九隆成立于1989年，旗下集团包括浙江金龙机械索具有限公司，宁波九隆五金有限公司，宁波三金冲压件有限公司，宁海县双恩橡塑有限公司，宁波九隆国际有限公司，我们是一家专门从事货物安全运输捆绑工具、起吊用具，超市设备，卡车拖车配件的工贸一体公司。我们这个行业涉及安全、物流、易耗品，是目前最阳光的产业之一！本公司位于中国东方明珠宁波市，紧临宁波机场、北仑港，交通十分便捷。

本公司历来是市实力型企业，公司产品多达2000多个，有20多项获得国家专利，并荣获“中国外贸出口先导指数样本企业”、“市纳税信用评级A类企业”、“市级文明单位”，“资信等级AAA级信用”，“省重点企业”等资质和荣誉称号。

目前公司拥有固定资产30000万元，占地面积120000多平方米，建筑面积80000多平方米，公司现有员工1100多人，其中300人以上为大学以上学历。其中高级工程师100多人，工程技术专业人员200多人。拥有进口电镀全自动流水线6套，其中挂吊镀铬2套，挂吊环保镀锌2套，滚镀镀锌2套，自动喷塑4条，进口抽丝4套，机器人焊接机8套，全自动冲压机生产线15条，锻打设备生产线12条，全自动弹簧机3台。先进的设备，优秀的人才，高素质的员工团队，客户的信任，让公司迅速发展为行业里的佼佼者。

经过29年的发展，宁波九隆已和全球多个国家和地区150多位买家建立了稳定的贸易合作关系，主要出口地为美国，德国，英国，法国，墨西哥；很多合作的客户其中不乏合作20年的，是与我们共同成长的客户。

本公司以“务实、创新、拼搏、卓越”为企业精神；以“坦荡做人、踏实做事、积极进取、终生学习”为企业文化；以“锐意创新、诚挚服务、信誉至上、品质第一”为经营宗旨，竭诚为广大客户提供品质齐全、质量上乘、外形精美的产品。

我们公司的使命是：为社会创造价值，成就客户，成就员工，成就我们的合作伙伴；让货物捆绑起吊变得更简单，更安全，更普及，提高大家的安全意识，改变人们的生活方式。

我们公司的愿景是：成为行业第一；不断开发新的产品让货物捆绑起吊变得更简便，更安全，更普及；不断给社会培养出有道德，有理想的卓越人才，让社会充满爱与正能量。

Company Profile

Ningbo Jiulong established in 1989, which owns five subsidiaries, there are Zhejiang Jiulong Machinery Rigging Co.,Ltd., Ningbo Jiulong Hardware Co.,Ltd., Ningbo Sanjin Stamping Co.,Ltd., Ninghai ShuangEn Rubber & Plastic Co.,Ltd. and Ningbo Jiulong International Co. Ltd. We are the combination of production and trade company which are specialized on Cargo Control Products, Lifting Devices, Market Equipments, Truck & Trailer Parts area. Our trade refer to safety, transportation and logistic, consumable, which is one of the best prospects industry currently. Our company located at Ningbo City --- well known as eastern pearl of China with beautiful sightseeing, the transportation is very convenient, the Ningbo airport, Beilun port are nearby.

For these years, We have been the keen manufacturing company in our area. We own more than 2000 products, among them 20 have got national patents, and awarded Foreign Trade Export Pilot Index Sample Enterprises in China, Urban Tax Credit Rating A Type Enterprises, Municipal Civilized Unit, AAACredit Ranking Company, Provincial Key Enterprises those qualifications and honorary titles.

Our fixed asset is over RMB300 million (USD50 million),and the company covers 120000 squares meters with buildings of 80000 squares meters. Totally we have 1100 employees, 300 of them have Bachelor degree or over. 100 of them are junior and Senior engineers, 200 are professional technicians.

Here following are the main equipment we have:

Imported auto chrome-painting line	6EA
Imported Hang Chrome Plating Line	2EA
Imported Environmental Hanging Rings Zinc-Plating Line	2EA
Imported Barrel Zinc Plating	2EA
Imported auto powder-painting line	4EA
Imported threading-drawing machine	4EA
Imported Robot Welding Line	8EA
Imported automatic stamping production line	15EA
Forging equipment production line	12EA
Full automatic spring production machine	3EA

Advance equipment, brilliant talent, high efficiency team, customer trust, to make our company become a leader in this industry.

After 29 years development, our company has already set up the stable trade relationship with more than 150 customers around the world. Main export area are USA, German, UK, France ,Mexico, and many customers we have cooperated more than 20years and we are growing up together.

We always hold our idea "result-oriented, innovation, hard-working and surpassing" and this beings our unique company culture as "frank behaving , steady working, keep ahead and life-long studying" and our operation principles "innovation, sincere service, credit-stressing and supreme-quality". We would like to provide our customers with products of big variety, high quality and attractive appearance.

OUR MISSION:CREATE THE SOCIETY VALUE, DELIGHT THE CUSTOMERS, DELIGHT THE STAFFS, DELIGHT THE PARTNERS, MAKE THE LIFTING & LASHING MORE SIMPLE, MORE SAFETY, AND MORE POPULAR, IMPROVE THE PEOPLE'S SAFETY AWARENESS, CHANGE THE PEOPLE'S LIFE STYLE.

OUR VISION: TO BE No. 1; DEVELOP NEW PRODUCTS TO MAKE THE CARGO LIFTING& LASHING MORE SIMPLE, MORE SAFETY, MORE POPULAR; ALWAYS CULTIVATE THE BRILLIANT AND GRATITUDE TALENTS, TO MAKE OUR SOCIETY WITH LOVE AND POSTIVE ENERGY.





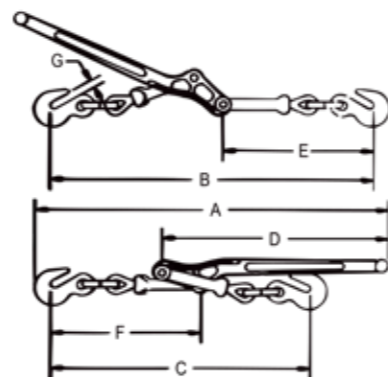


JIULONG HARDWARE&JINLONG RIGGING



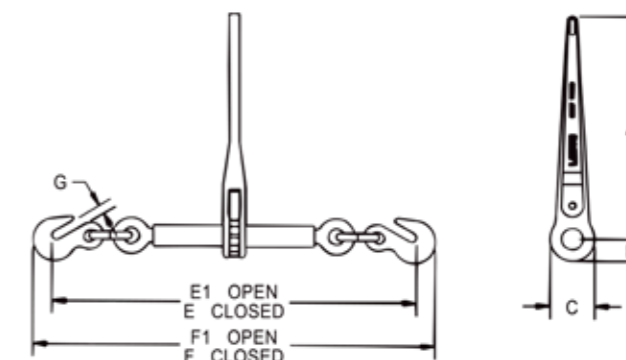
CHAIN LOAD BINDER
CHAIN&ACCESSORY





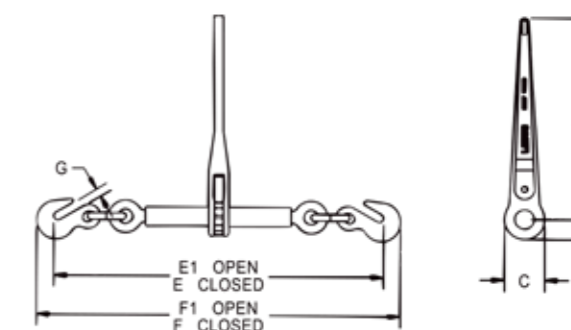
STANDARD LEVER TYPE LOAD BINDER

型号 Code NO.	规格 Min-Max Chain Size (in.)	工作负荷 Working Load Limit (lbs.)	测试拉力 Proof Load (lbs.)	破断负荷 Minimum Ultimate Strength (lbs.)	重量 Weight Each (lbs.)	手柄长度 Handle Length (in.)	各部位尺寸 Dimensions (in.)						
							A	B	C	D	E	F	G
LB1456	1/4-5/16	2600	4400	7800	3.52	11.57	18.11	17.32	14.17	11.18	8.46	6.30	.35
LB5638	5/16-3/8	5400	10800	19000	7.80	16.00	24.13	22.13	17.88	16.00	10.38	10.38	.47
LB3812	3/8-1/2	9200	18400	33000	12.15	18.50	27.81	25.75	21.25	18.69	12.00	12.00	.63
LB1258	1/2-5/8	13000	26000	46000	18.70	21.00	31.25	29.75	25.00	21.00	14.63	13.75	.72
LB*5638	*5/16-3/8	6600	13200	19800	8.00	16.00	24.13	22.13	17.88	16.00	10.38	10.38	.47



型号 Code NO.	规格 Min-Max Chain Size (in.)	工作负荷 Working Load Limit (lbs.)	测试拉力 Proof Load (lbs.)	破断负荷 Minimum Ultimate Strength (lbs.)	重量 Weight Each (lbs.)	手柄长度 Handle Length (in.)	螺套长度 Barrel Length (in.)	收缩距 Take Up (in.)	各部位尺寸 Dimensions (in.)							
									A	B	C	E	E1	F	F1	G
RB5638SH	5/16-3/8	5400	10800	19000	10.50	13.42	9.92	8.0	13.32	1.30	2.60	23.78	31.78	25.14	34.14	.47
RB3812SH	3/8-1/2	9200	18400	33000	12.20	13.92	9.92	8.0	13.92	1.30	2.60	23.82	31.82	28.93	34.93	.63

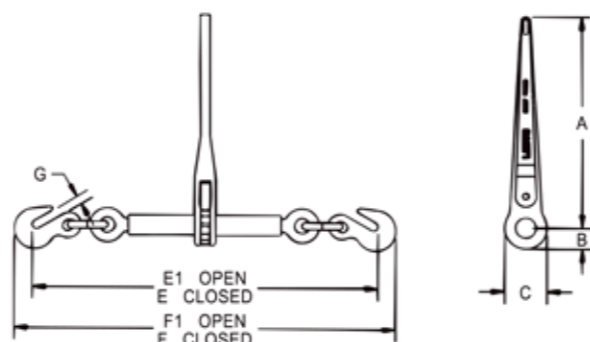
G80 EN STANDARD LOAD BINDER



RATCHET TYPE LOAD BINDER WITH WING&PIN HOOK
SAFTY LOCK IN BARREL

型号 Code NO.	规格 Min-Max Chain Size (mm)	工作负荷 Working Load Limit (KN)	测试拉力 Proof Load (KN)	破断负荷 Minimum Ultimate Strength (KN)	重量 Weight Each (KG)	手柄长度 Handle Length (in.)	螺套长度 Barrel Length (in.)	收缩距 Take Up (in.)	各部位尺寸 Dimensions (in.)							
									A	B	C	E	E1	F	F1	G
RB06W	6	22	33	45.2	1.78	7.16	6.30	4.65	7.16	.89	1.77	17.4	22.04	19.2	23.84	.35
RB08W	8	40	60	80.4	4.55	13.42	9.92	8.0	13.32	1.30	2.60	23.78	31.78	26.14	34.14	.47
RB10W	10	63	94.5	126	5.75	13.92	9.92	8.0	13.92	1.30	2.60	23.82	31.82	26.93	34.93	.63
RB13W	13	100	150	212	8.56	13.92	9.92	8.0	13.92	1.30	2.60	25.90	33.90	29.57	34.57	.72
RB16W	16	160	240	322	13.4	13.42	11.00	10.0	13.92	1.30	2.60	26.50	34.80	31.60	39.90	.92

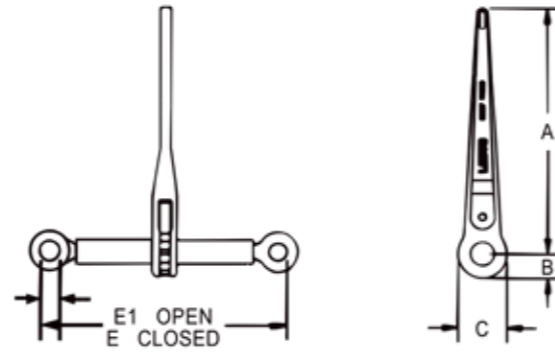
Short handle available. Please ask sales.



UNFOLD RATCHET LOAD BINDER
(RUBBER PROTECTIVE AVAILABLE)

RATCHET TYPE LOAD BINDER

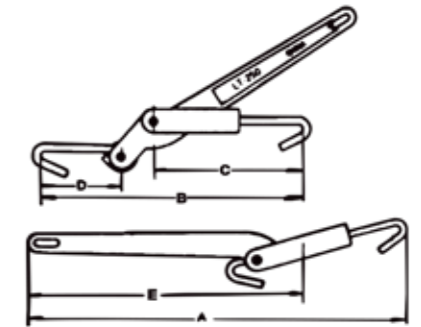
型号 Code NO.	规格 Min-Max Chain Size (in.)	工作负荷 Working Load Limit (lbs.)	测试拉力 Proof Load (lbs.)	破断负荷 Minimum Ultimate Strength (lbs.)	重量 Weight Each (lbs.)	手柄长度 Handle Length (in.)	螺套长度 Barrel Length (in.)	收缩距 Take Up (in.)	各部位尺寸 Dimensions (in.)							
									A	B	C	E	E1	F	F1	G
RB1456	1/4-5/16	2600	4400	7800	3.52	7.16	6.30	4.65	7.16	.89	1.77	17.4	22.04	19.2	23.84	.54
RB5638	5/16-3/8	5400	10800	19000	10.50	13.42	9.92	8.0	13.32	1.30	2.60	23.78	31.78	25.14	34.14	.47
RB3812	3/8-1/2	9200	18400	33000	12.20	13.92	9.92	8.0	13.92	1.30	2.60	23.82	31.82	28.93	34.93	.63
RB1258	1/2-5/8	13000	26000	46000	14.38	13.92	9.92	8.0	13.92	1.30	2.60	25.90	25.90	29.57	34.57	.72
RB*5638	*5/16-3/8	6600	13200	19800	11.00	13.42	9.92	8.0	13.92	1.30	2.60	23.78	23.78	26.14	34.14	.47
RB*3812	3/8-1/2	12000	24000	36000	13.8	13.42	9.92	8.2	13.92	1.30	2.60	23.78	23.78	26.14	34.14	.47



G80 RATCHET TYPE LOAD BINDER WITHOUT LINKS OR HOOKS

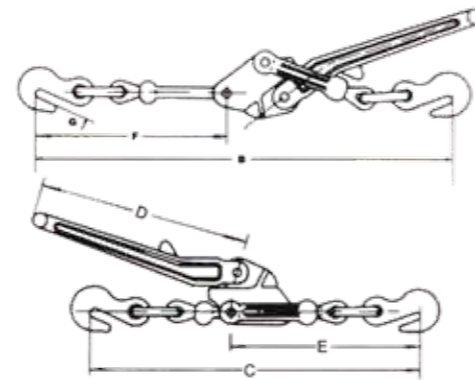
型号 Code NO.	规格 Min-Max Chain Size (mm)	工作负荷 Working Load Limit (KN)	测试拉力 Proof Load (KN)	破断负荷 Minimum Ultimate Strength (KN)	重量 Weight Each (KG)	手柄长度 Handle Length (in.)	螺套长度 Barrel Length (in.)	收缩距 Take Up (in.)	各部位尺寸 Dimensions (in.)							
									A	B	C	E	E1	F	F1	G
RB06	6	22	33	45.2	1.78	7.16	6.30	4.65	7.16	.89	1.77	17.4	22.04	19.2	23.84	.35
RB08	8	40	60	80.4	4.55	13.42	9.92	8.0	13.32	1.30	2.60	23.78	31.78	26.14	34.14	.47
RB10	10	63	94.5	126	5.75	13.92	9.92	8.0	13.92	1.30	2.60	23.82	31.82	26.93	34.93	.63
RB13	13	100	150	212	8.56	13.92	9.92	8.0	13.92	1.30	2.60	25.90	33.90	29.57	34.57	.72
RB16	16	160	240	322	13.4	13.42	11.00	10.0	13.92	1.30	2.60	26.50	34.80	31.60	39.90	.92

Short handle available. Please ask sales.



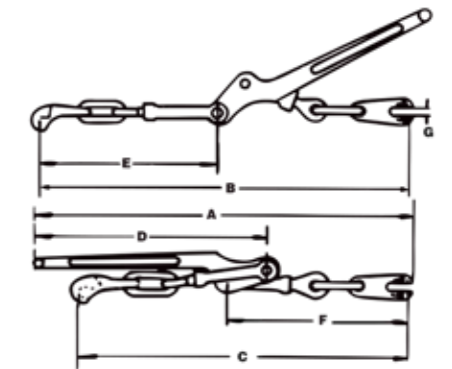
LTLOAD BINDER

型号 Code NO.	规格 Min-Max Chain Size (in.)	工作负荷 Working Load Limit (lbs.)	测试拉力 Proof Load (lbs.)	破断负荷 Minimum Ultimate Strength (lbs.)	重量 Weight Each (lbs.)	手柄长度 Handle Length (in.)	各部位尺寸 Dimensions (in.)				
							A	B	C	D	E
LB175	175	175	350	750	0.4	/	/	/	/	/	
LB250	250	250	500	880	1.43	9.05	12.40	8.82	5.00	2.75	9.05
LB375	375	375	750	1300	1.40	9.05	12.20	9.50	5.16	3.23	9.05



RECOILLESS CHAIN LOAD BINDER

型号 Code NO.	规格 Min-Max Chain Size (in.)	工作负荷 Working Load Limit (lbs.)	测试拉力 Proof Load (lbs.)	破断负荷 Minimum Ultimate Strength (lbs.)	重量 Weight Each (lbs.)	手柄长度 Handle Length (in.)	各部位尺寸 Dimensions (in.)					
							B	C	D	E	F	G
ILB5638	5/16-3/8	5400	10800	19000	9.25	13.00	23.62	22.32	13.10	11.26	11.26	0.47
ILB3812	3/8-1/2	9200	18400	33000	13.25	13.00	25.75	25.25	15.1	13.26	13.26	0.63



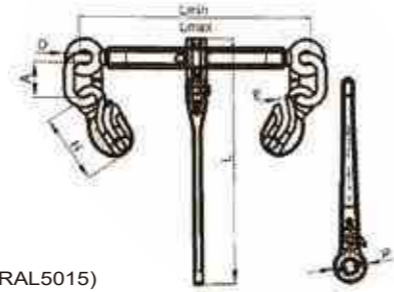
LEVER TYPE LOAD BINDER(RRABBER)

型号 Code NO.	规格 Min-Max Chain Size (in.)	工作负荷 Working Load Limit (lbs.)	测试拉力 Proof Load (lbs.)	破断负荷 Minimum Ultimate Strength (lbs.)	重量 Weight Each (lbs.)	手柄长度 Handle Length (in.)	各部位尺寸 Dimensions (in.)						
							A	B	C	D	E	F	G
ALB1456	1/4-5/16	2200	4400	7800	3.62	11.42	18.43	19.10	15.74	11.42	9.13	8.82	.31
ALB5638	5/16-3/8	5400	10800	19000	8.56	15.43	25.67	25.66	24.36	15.43	12.28	12.28	.47
ALB3812	3/8-1/2	9200	18400	33000	12.38	17.24	30.47	31.53	27.71	17.24	15.44	15.44	.63

G100 RACHET BINDER WITH SAFETY HOOKS



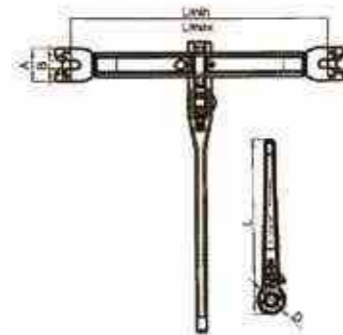
According EN12195-3 standard
 Handle:forged
 Suitable for G100 chain.
 With G100 eye grab hook with safety pin.
 Not for lifting,only ofr lashing.
 Surface finish:Powder plastified CouLOUR code:Blue(RAL5015)



Code NO.	Size (mm.)	LC/KN	BF/KN	A mm	D mm	H mm	E mm	L mm	P mm	Lmin mm	Lmax mm	N.W. KG
RB08WG10	8	50	100	50	12	98	10.5	383	56	340	500	3.71
RB10WG10	10	80	160	50	14	121.5	13	390	65	365	525	5.85
RB13WG10	13	134	268	72	20	159.5	15.5	392.5	69	365	525	9.34

BF=LCX2 / Regular mark:Handle:8MM G10 CE LC50KN Not for lifting / Hooks:Handle:8MM G10 CE+BATC H NUMBER

G100 RACHET BINDER WITH SAFETY HOOKS



Code NO.	Size (mm.)	LC/KN	BF/KN	A mm	B mm	L mm	D mm	Lmin mm	Lmax mm	N.W. KG
RB08CG10	8-10	50	100	40	10	383	56	312	472	3.5
RB10CG10	10-10	80	160	49	13	390	65	337	497	5.5
RB13CG10	13-10	134	268	64	16	392.5	69	347	507	7.1

Regular mark:Handle:8MM G10 CE LC50KN Not for lifting / Clevis:8MM G10+BATC H NUMBER

G100 RACHET BINDER WITHOUT LINKS AND HOOKS



Code NO.	Size (mm.)	LC/KN	BF/KN	N.W. KG
RB08G10	8-10	50	100	2.6
RB10G10	10-10	80	160	4.3
RB13G10	13-10	134	268	5.0

BF=LCX2
 Regular mark:Handle:8MM G10 CE LC50KN Not for lifting
 Eye screw:8MM G10 +BATC H NUMBER

G70 CHAIN NACM1996/2003 STANDARD LINK CHAIN



- Code No. Chain assemblies with Clevis Hooks**
- G7C8-16** 5/16-in.x16-ft. Working Load Limit:4,700lbs. Weight:17.40lbs./7.89kg.
 - G7C8-20** 5/16-in.x20-ft. Working Load Limit:4,700lbs. Weight:21.70lbs./9.90kg.
 - G7C8-25** 5/16-in.x25-ft. Working Load Limit:4,700lbs. Weight:26.70lbs./12.11kg.
 - G7C10-16** 3/8-in.x16-ft. Working Load Limit:6,600lbs Weight:17.80lbs./8.07kg.
 - G7C10-20** 3/8-in.x20-ft. Working Load Limit:6,600lbs Weight:22.20lbs./10.07kg.
 - G7C10-25** 3/8-in.x25-ft. Working Load Limit:6,600lbs Weight:27.20lbs./12.40kg.
 - G7C13-20** 1/2-in.x20-ft. Working Load Limit:11,300lbs Weight:53.60lbs./24.30kg.
 - G7C13-25** 1/2-in.x25-ft. Working Load Limit:11,300lbs Weight:66.20lbs./30.01kg.

- Code No. Chain also available in bulk**
- G7C6-400** 1/4-in.400-ft. length Weight:262lbs./1189kg.
 - G7C8-400** 5/16-in.400-ft. length Weight:408lbs./1851kg.
 - G7C10-200** 3/8-in.200-ft. length Weight:248lbs./1125kg.
 - G7C13-100** 1/2-in.100-ft. length Weight:251lbs./1139g.

G43 CHAIN



*** CHINA IN A PAIL ALSO AVAILABLE, PLS CONTACT SALES**

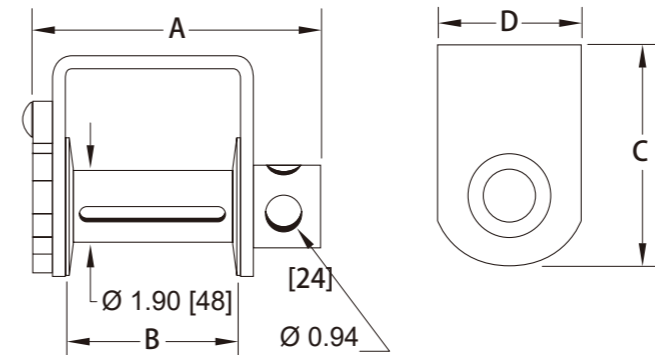
- Code No. Chain assemblies with Clevis Hooks**
- G4C6-20** 1/4-in.x20-ft. Working Load Limit:2,600lbs. Weight:13.50lbs./6.13kg.
 - G4C8-20** 5/16-in.x20-ft. Working Load Limit:3,900lbs. Weight:22.00lbs./9.97kg.
 - G4C10-20** 3/8-in.x20-ft. Working Load Limit:5,400lbs. Weight:31.40lbs./14.24kg.

- Code No. Chain also available in bulk**
- G4C6-135** 1/4-in.x135-ft. Working Load Limit:2,600lbs. Weight:89.30lbs./40.50kg.
 - G4C8-90** 5/16-in.x90-ft. Working Load Limit:3,900lbs. Weight:89.30lbs./40.50kg.
 - G4C10-63** 3/8-in.x63-ft. Working Load Limit:5,400lbs. Weight:90.40lbs./41.00kg.





Made with different base configurations,jiulong winches also feature seamless solid-steelmandrels, high-strength alloy pawl pins and powder coating to resist abrasion and rust. Unless otherwise specified, all winches are right hand models. Left hand models are also available.



INCH WINCH SPECIFICATION

Item No.	A (inch)	B (inch)	C (inch)	D (inch)	Weight (lbs.)	Weight (kgs.)
W901	7.71	4.88	5.87	3.94	8.8	4.0
W902	9.32	4.96	6.36	3.54	10.0	4.5
W903	7.71	4.88	5.24	3.94	8.8	4.0
W904	7.71	4.88	6.89	3.94	10.7	4.9
W905	9.89	6.50	4.91	3.94	12.6	5.7
W906	7.66	4.88	5.51	3.54	8.0	3.6
W907	7.66	4.88	5.51	3.54	9.4	4.3
W908	7.75	4.88	6.50	3.54	8.8	4.0
W909	5.0	2.13	4.02	2.93	3.8	1.7
W910	10.57	7.75	6.13	4.00	12.0	5.5
W911	6.25	5.00	6.25	4.00	6.0	2.7
W912	6.25	5.00	5.25	4.00	7.5	3.4
W913	7.66	4.88	5.98	3.94	9.2	4.2
W914	7.66	4.88	6.50	4.00	9.7	4.4
W915	7.75	4.88	6.50	3.94	10.3	4.7
W916	7.68	4.88	7.72	3.94	10.1	4.6
W917	7.68	4.88	7.72	3.94	10.7	4.9
W918	7.68	4.88	4.33	3.94	8.1	3.7
W919	7.68	4.88	4.33	3.94	9.2	4.2
W920	7.66	4.88	5.51	3.54	9.6	4.4
W921	7.68	4.88	4.78	3.75	6.0	2.7
W922	7.68	4.88	6.88	3.50	8.2	3.7
W923	7.68	4.88	6.02	4.69	8.7	4.0
W924	7.56	7.24	10.00	3.94	13.6	6.2
W925	9.27	6.50	4.33	3.94	16.0	7.3
W926	9.27	6.50	5.71	3.54	10.7	4.9
W927	9.87	6.53	4.25	3.94	10.7	4.9
W928	9.98	6.54	5.50	4.00	13.4	6.0
W929	10.24	6.50	6.89	3.94	15.4	7.0
W930	10.24	6.50	6.89	3.94	15.4	7.0

FLATBED ACCESSORIES



W901



W902



W903



W913



W914



W915



W904



W905



W906



W916



W917



W918



W907



W908



W909



W919



W920



W921



W910



W911



W912



W922



W923



W924



W925



W926



W927



W937



W938



W939



W928



W929



W930



W940



W941



W942



W931



W932



W933



WINCH TRACK

W943



W944



W945



W934



W935



W936



WEB WINDER

W946

COIL RACKS



Size: 33.25" long x 2.75" wide x 2.85" high
Weight: 4.9 lbs / 2.3 kgs.

W947

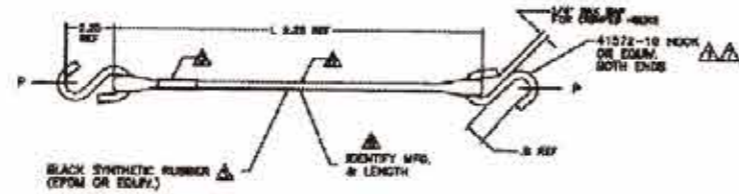
HEAVY DUTY COIL



Size: 33.25" long x 2.75" wide x 2.85" high
Weight: 5.4 lbs / 2.4 kgs.

W948

Tarp Straps



Breaking Capacity 14lbs
Load at 100% Elongation 35lbs

PART NUMBER	LENGTH MARKING	MAXIMUM STRETCH MARKING
JLTS001	9"HEAVEY DUTY	18"HEAVEY DUTY
JLTS002	15"HEAVEY DUTY	30"HEAVEY DUTY
JLTS003	21"HEAVEY DUTY	42"HEAVEY DUTY
JLTS004	31"HEAVEY DUTY	62"HEAVEY DUTY
JLTS005	41"HEAVEY DUTY	82"HEAVEY DUTY



JLTS006;JLTS007;JLTS008
3/8Solid Core Rubber Rope
7/16 Solid Core Rubber Rope
Rubber Hook Also Sopply



Single Cleat Double Cleat
WP001;WP001-1-2



Plastic Cleat
WP002



WP003



WP004



4"Plastic Corner protectors
JLCP001
Weight:0.22lbs/0.1kg.



4"Plastic Corner protectors
JLCP002
Weight:0.132lbs/0.06kg.



12"Plastic Corner protectors
JLCP003
Weight:0.47lbs/0.21kg.



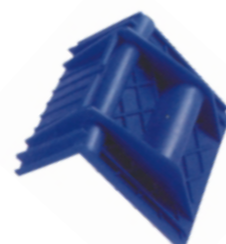
3"&4"rubber
JLCP004



Tarp protector
JLCP005



JLCP006



JLCP007



JLCP008



JLCP009



JLCP010



JLCP011



JLCP012



JLCP013



JLCP014



JLCP015



JLCP016



JLCP016-24



JLCP016-36



JLCP016-48



JLCP017



JLCP018



JLCP019



JLCP020



JLCP021



JLCP022



JLCP023;JLCP023-1-2



JLCP024



JLCP025



JLCP026



JLCP027



JLCP028

FLATBED ACCESSORIES

FLATBED ACCESSORIES

Warning Flags

These red, high-visibility warning flags measure 18" x 18" and come individually shrink-wrapped.



10001

Heavy-duty vinyl mesh flag on a 30" x 5/8" wooden dowel.
Flag dimension 18" x 18"

10002

Cotton flag with steel wire rod.
Flag dimension 18" x 18"

10003

Heavy-duty vinyl mesh flag with 2 high-strength brass grommets.
Flag dimension 18" x 18"

Various material



10008

Material: PVC Polyester
Size: 30x45cm / customized size



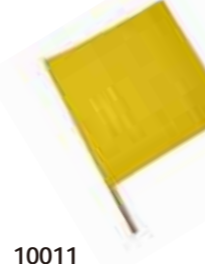
10009

Material: PVC Mesh
Size: 30x30cm / customized size



10010

Material: Polyester
Size: 30x30cm / customized size



10011

Material: PVC Mesh
Size: 46x46cm / customized size

Reversible Banners

These versatile, double-sided banners read WIDE LOAD on one side and OVERSIZE LOAD on the other. They are high-strength, UV-resistant and are printed with water-resistant ink. They feature high-strength brass grommets, have double-stitched, reinforced hems and come individually shrink-wrapped.



10006

Wide Load/Oversize Load
18"x84" banner with high-strength brass grommets and 2 ropes sewn in, one top and one bottom 156" long.



10004

Wide Load/Oversize Load
14"x72" banner with high-strength grommets and 4 ropes 43" long.

10005

Wide Load/Oversize Load
18" x84" banner with high strength grommets and 4 ropes 43" long.



10007

Oversize Load
18" x 84" Mesh w/ Bungee Cords

Bunting Flag



Oversized Wide Load Banner

10007

Wide/Oversize Load "D" Banner
12" x 96" with 10 grommets.



Bicycle Flag

10012

Custom Color for flag
Flagpole Material: fiberglass
Flag Material: Polyester, PVC
Size for fiberglass pole:
90cm/100cm/150cm/170cm.....



FLATBED ACCESSORIES

FLATBED ACCESSORIES



Forged D-Ring Assemblies with Weld-On Clips
Zinc and powder coating available



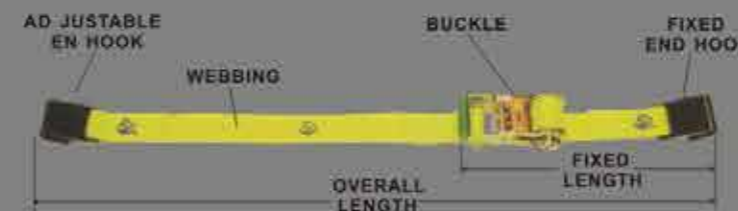
Winch Bars & Accessories



Engineered for strength and durability,jiulong ratchet buckle strap assemblies set the industry standard.The integrity of our high quality ratchet buckles set these assemblies apart from the rest.A complete line of jiulong's standard and heavy-duty Assemblies and accessories can meet all of your specific requirements.

ANATOMY OF A RATCHET STRAP

Length: The distance between extreme end bearing points of the web tiedown assembly, including the fittings. Standard fixed end length is 18" (33" for chain anchor straps). This puts ratchet in optimum position on side of trailer for driver tensioning. Handholds are typically 8" in length and can be sewn to prevent the webbing from sliding back through the buckle or winch.



Ratchet Strap Assemblies

All heavy duty 2" cargo strap assemblies are made from premium, yellow, 12,000 Lb. tensile strength tested, polyester webbing for maximum durability. Meets all the requirements of the U.S. Department of Transportation (DOT), Canadian Council of Motor Transport Administrators (CCMTA) and Commercial Vehicle Safety Alliance (CVSA). 2" inline strap assemblies come standard with a 12" fixed end. Packaged in shrink wrapped plastic with a circle card.

◆ Design factor 3:1

2" Wide Handle Ratchet With Chain Hook

Denotes extra long, wide handle ratchet.

ITEM NO	LENGTH	WORKING LOAD LIMIT		WEIGHT	FACTORY PACKAGE
	(Feet)	(LBS)	(KGS)	(Lbs/ea.)	
2RTD15C	15	3,333	1,497	10.00	8 / ctn
2RTD27C	27	3,333	1,497	10.20	4 / ctn



2" Wide Handle Ratchet With Flat Hooks

ITEM NO	LENGTH	WORKING LOAD LIMIT		WEIGHT	FACTORY PACKAGE
	(Feet)	(LBS)	(KGS)	(Lbs/ea.)	
2RTD27F	27	3,333	1,497	5.70	8 / ctn
2RTD30F	30	3,333	1,497	6.10	8 / ctn
2RTD40F	40	3,333	1,497	6.50	4 / ctn



2" Wide Handle Ratchet With "J" Hooks

ITEM NO	LENGTH	WORKING LOAD LIMIT		WEIGHT	FACTORY PACKAGE
	(Feet)	(LBS)	(KGS)	(Lbs/ea.)	
2RTD27J	27	3,333	1,497	5.60	8 / ctn
2RTD30J	30	3,333	1,497	6.00	8 / ctn



2" Wide Handle Ratchet With Flat Hook

ITEM NO	LENGTH	WORKING LOAD LIMIT		WEIGHT	FACTORY PACKAGE
	(Feet)	(LBS)	(KGS)	(Lbs/ea.)	
2RTD27BF	27	3,333	1,497	5.80	10 / ctn
2RTD30BF	30	3,333	1,497	6.00	10 / ctn



2" Wide Handle Ratchet With Twist Flat Snap Hook

ITEM NO	LENGTH	WORKING LOAD LIMIT		WEIGHT	FACTORY PACKAGE
	(Feet)	(LBS)	(KGS)	(Lbs/ea.)	
2RTD27FS	27	3,333	1,497	5.70	8 / ctn
2RTD30FS	30	3,333	1,497	5.90	8 / ctn



2" Wide Handle Ratchet With "D" Rings

ITEM NO	LENGTH	WORKING LOAD LIMIT		WEIGHT	FACTORY PACKAGE
	(Feet)	(LBS)	(KGS)	(Lbs/ea.)	
2RTD27D	27	3,333	1,497	5.70	8 / ctn
2RTD30D	30	3,333	1,497	5.90	8 / ctn



2" Car Lashing Ratchet Tie Down

ITEM NO	LENGTH	WORKING LOAD LIMIT		WEIGHT	FACTORY PACKAGE
	(Feet)	(LBS)	(KGS)	(Lbs/ea.)	
2LRTD27J	27	3,333	1,497	10.00	10 / ctn
2LRTD30J	30	3,333	1,497	10.20	10 / ctn



Swive hook available:



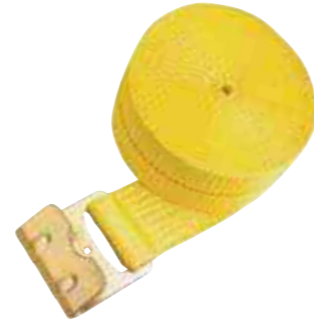
4" Wide Handle Ratchet With "J" Hook

ITEM NO	LENGTH	WORKING LOAD LIMIT		WEIGHT	FACTORY PACKAGE
	(Feet)	(LBS)	(KGS)	(Lbs/ea.)	
4RTD27J	27	5,400	2,455	5.80	8 / ctn
4RTD30J	30	5,400	2,455	6.00	8 / ctn



3" Flat Hook Winch Strap Assembly

ITEM NO	LENGTH	WORKING LOAD LIMIT		WEIGHT	FACTORY PACKAGE
	(Feet)	(LBS)	(KGS)	(Lbs/ea.)	
3L27F	27	5,400	2,455	4.40	8 / ctn
3L30F	30	5,400	2,455	4.70	8 / ctn



3" Standard Ratchet With Flat Hooks

ITEM NO	LENGTH	WORKING LOAD LIMIT		WEIGHT	FACTORY PACKAGE
	(Feet)	(LBS)	(KGS)	(Lbs/ea.)	
3RT27F	27	5,400	2,455	12.50	4 / ctn
3RT30F	30	5,400	2,455	13.00	4 / ctn



4" Flat Hook Winch Strap Assembly

ITEM NO	LENGTH	WORKING LOAD LIMIT		WEIGHT	FACTORY PACKAGE
	(Feet)	(LBS)	(KGS)	(Lbs/ea.)	
4L27F	27	5,400	2,455	4.60	8 / ctn
4L30F	30	5,400	2,455	5.10	8 / ctn
4L60F	60	5,400	2,455	10.25	4 / ctn



4" Winch Strap Assembly With Chain Anchor

ITEM NO	LENGTH	WORKING LOAD LIMIT		WEIGHT	FACTORY PACKAGE
	(Feet)	(LBS)	(KGS)	(Lbs/ea.)	
4L27CH	27	5,400	2,455	6.80	8 / ctn
4L30CH	30	5,400	2,455	7.00	8 / ctn



4" Sewn Loop Winch Strap Assembly

ITEM NO	LENGTH	WORKING LOAD LIMIT		WEIGHT	FACTORY PACKAGE
	(Feet)	(LBS)	(KGS)	(Lbs/ea.)	
4L27L	27	6,000	2,727	3.30	8 / ctn
4L30L	30	6,000	2,727	4.10	8 / ctn



4" V-Iron Winch Strap Assembly

ITEM NO	LENGTH	WORKING LOAD LIMIT		WEIGHT	FACTORY PACKAGE
	(Feet)	(LBS)	(KGS)	(Lbs/ea.)	
4L27V	27	5,400	2,455	4.90	8 / ctn
4L30V	30	5,400	2,455	5.60	8 / ctn
4L60V	60	5,400	2,455	10.50	4 / ctn



4" HD Ratchet Strap Assembly With Flat Hooks

ITEM NO	LENGTH	WORKING LOAD LIMIT		WEIGHT	FACTORY PACKAGE
	(Feet)	(LBS)	(KGS)	(Lbs/ea.)	
4RTD630F	30	6,000	2,727	13.75	4 / ctn



4" HD Fixed End With Flat Hooks

ITEM NO	LENGTH	WORKING LOAD LIMIT		WEIGHT	FACTORY PACKAGE
	(Inch)	(LBS)	(KGS)	(Lbs/ea.)	
4RTD618F	18	6,000	2,727	1.48	4 / ctn



Container Tie-Down Replacement Strap

ITEM NO	Description	WORKING LOAD LIMIT		WEIGHT	FACTORY PACKAGE
	(With x length)	(LBS)	(KGS)	(Lbs/ea.)	
4L5R	4" x 5'	5,400	2,455	1.00	8 / ctn



AU-standard Ratchet Tie-Down Polyester Replacement Straps 9m, LC: 3000kg

ITEM NO	Description	LC Kg	HOOK TYPE	WIDTH mm	LENGTH Mtr	WEIGHT Kg	UOM
TD5000R-9A	50mm x 9m RTD Replacement Strap	2500	Hook & Keeper	50	9	2	Each
TD5000R-9B	50mm x 9m RTD Replacement Strap	2500	Hook & Keeper	50	12	2.5	Each
TD10000R-9A	75mm x 9m RTD Replacement Strap	5000	Hook & Keeper	75	9	3	Each
TD10000R-9B	75mm x 12m RTD Replacement Strap	5000	Hook & Keeper	75	12	3.5	Each



TIE-DOWN BUCK

TIE-DOWN BUCK

2" Inline Adjustable End Strap With Hardware

ITEM NO	LENGTH	WORKING LOAD LIMIT		WEIGHT	FACTORY PACKAGE
	(Feet)	(LBS)	(KGS)	(Lbs/ea.)	
L27D	27	3,333	1,497	2.80	8 / ctn
L27F	27	3,333	1,497	2.60	8 / ctn
TS20F	20	3,333	1,497	3.28	8 / ctn
L27J	27	3,333	1,497	2.75	8 / ctn
L2TFS	27	3,333	1,497	2.80	8 / ctn
L27CA	27	3,333	1,497	4.95	8 / ctn



Ratchet Tie-Down with "J" Hooks

Zinc plated hardware. Premium ratchet-style buckle for easy tightening.

ITEM NO	LENGTH	WORKING LOAD LIMIT		WEIGHT	FACTORY PACKAGE
	(Feet)	(LBS)	(KGS)	(Lbs/ea.)	
1RTD6J	6'	500	227	1.10	10 pr./ ctn
1RTD15J	15'	500	227	1.30	10 / ctn
1RTD20J	20'	500	227	1.40	10 / ctn



Easy Release Tie-Down with "S" Hooks

Easy release, zinc plated cam buckle and chrome plated S-hooks. Packed in pairs.

ITEM NO	LENGTH	WORKING LOAD LIMIT		WEIGHT	FACTORY PACKAGE
	(Feet)	(LBS)	(KGS)	(Lbs/ea.)	
1CTD04S	4'	500	227	1.40	10 / ctn
1CTD06S	6'	500	227	1.70	10 / ctn



Easy Release Tie-Down with "J" Hooks

Easy release, zinc plated cam buckle and zinc plated J-hooks. Packed in pairs.

ITEM NO	LENGTH	WORKING LOAD LIMIT		WEIGHT	FACTORY PACKAGE
	(Feet)	(LBS)	(KGS)	(Lbs/ea.)	
1CTD6J	6'	500	227	1.60	10 / ctn



Ratchet Tie-Down with "S" Hooks

Chrome plated hooks and a premium chrome plated ratchet-style buckle for easy tightening.

ITEM NO	LENGTH	WORKING LOAD LIMIT		WEIGHT	FACTORY PACKAGE
	(Feet)	(LBS)	(KGS)	(Lbs/ea.)	
1RTD6S	6'	500	227	1.50	10 pr./ ctn
1RTD15S	15'	500	227	1.70	10 / ctn
1RTD20S	20'	500	227	1.80	10 / ctn



Interior Van Straps – CAM Buckle With Spring "E" Clip

ITEM NO	LENGTH	WORKING LOAD LIMIT		WEIGHT	FACTORY PACKAGE
	(Feet)	(LBS)	(KGS)	(Lbs/ea.)	
CBE12	12'	835	379	1.60	12 / ctn
CBE16	16'	835	379	1.80	12 / ctn
CBE20	20'	835	379	2.00	8 / ctn



Interior Van Straps – Ratchet With Spring "E" Clip

ITEM NO	LENGTH	WORKING LOAD LIMIT		WEIGHT	FACTORY PACKAGE
	(Feet)	(LBS)	(KGS)	(Lbs/ea.)	
RTD12E	12'	1,000	454	2.38	8 / ctn
RTD16E	16'	1,000	454	2.63	8 / ctn
RTD20E	20'	1,000	454	2.75	8 / ctn



Rope Tie – Offs

ITEM NO	LENGTH	WORKING LOAD LIMIT		WEIGHT	FACTORY PACKAGE
	(Inch)	(LBS)	(KGS)	(Lbs/ea.)	
RTF01	6"	1,000	455	0.5	40 / ctn
RTF02	6"	1,000	455	0.5	40 / ctn
RTF03	6"	500	230	0.5	40 / ctn
RTF04	6"	670	305	0.5	40 / ctn
RTF05	6"	670	305	0.5	40 / ctn



TIRE NETS

Tire Nets for 13" to 20" Tires



TN-076 – Wire Hooks
TN-076F – Flat Hooks
TN-076S – Snap Hooks

The automotive tire net with basket configuration gives you the flexibility on adjustment and tire size to secure your vehicle in transport.

Working Load Limit: 1,670 lbs./757 kgs.



e Nets for 13" to 22" Tires



TN-061HD2C – Wire Hooks

Designed to securely restrain your vehicle from moving and our 2 moulded plastic cleats prevent it from slipping on the tire.

Working Load Limit: 1,670 lbs./757 kgs.

Tire Nets for 13" to 16" Tires



TN-022 – Wire Hooks

A quick and convenient way to secure your vehicle to a trailer if there are no convenient tie-down points on your car available.

Working Load Limit: 1,670 lbs./757 kgs.

15668 – 9080-1 E/A Fitting

High performance vehicles like race cars, exotic and specialty cars require pampering only Steadymate can provide. This tire strap has been designed with no cleats, specifically engineered for low wheel wells. Set includes Left and Right Hand Straps

NOTE: You must order two sets to secure all four wheels.

Working Load Limit: 1,500 lbs./680 kgs.



AXLESTRAPS

Our heavy duty Axle Straps are designed to wrap perfectly around your car's rear axle, chassis or other attachment point and provide you a quick and easy anchoring point for down your car. They come in a variety of lengths as well as with the optional feature of a protective sleeve.

Working Load Limit: 3,335 lbs./1513 kgs.



AS024
A x 24"

AS036
A x 36"

2AS024 - 2A x P24"
2 Per Package.



AS024-SL
With Protective Sleeve
A x P24"

AS036-SL
With Protective Sleeve
A x P36"

2AS036-SL 2A x P36"
2 Per Package.

AS044-SL
With Protective Sleeve
A x P44"

AU-Standard 50mm 5T ratchet lashing strap SWAN HOOK

ITEM NO	LENGTH	WORKING LOAD LIMIT		WEIGHT	FACTORY PACKAGE
	(M)	(LC)	(KG)	(Lbs/ea.)	
TD5000SW-9	9	2500	5000	2.5	10 pcs./ ctn
TD5000SW-11	11	2500	5000	2.76	10 / ctn
TD5000SW-12	12	2500	5000	3.02	10 / ctn



Ratchet Style Web Dog Suits 8mm Grade 70 Chain C/W Grab Hooks Each End Lashing 3800kg

TD5000WD



EN-Standard 50mm 5T ergo ratchet lashing strap

ITEM NO	LENGTH	WORKING LOAD LIMIT		WEIGHT	FACTORY PACKAGE
	(M)	(LC)	(KG)	(KG/ea.)	
TD5000ER-8	8	2500	5000	3	8 / ctn
TD5000ER-10	10	2500	5000	3.26	8 / ctn
TD5000ER-12	12	2500	5000	3.52	8 / ctn



EN-Standard 50mm 5T ratchet lashing strap "J" HOOK

ITEM NO	LENGTH	WORKING LOAD LIMIT		WEIGHT	FACTORY PACKAGE
	(M)	(LC)	(KG)	(Lbs/ea.)	
TD5000J-8	8	2500	5000	2.6	10 pr./ ctn
TD5000J-10	10	2500	5000	2.86	10 / ctn
TD5000J-12	12	2500	5000	3.12	10 / ctn



EN-Standard 50mm 4T ratchet lashing strap "U" HOOK

ITEM NO	LENGTH	WORKING LOAD LIMIT		WEIGHT	FACTORY PACKAGE
	(M)	(LC)	(KG)	(Lbs/ea.)	
TD4000U-8	8	2500	5000	2.3	10 pr./ ctn
TD4000U-10	10	2500	5000	2.5	10 / ctn
TD4000U-12	12	2500	5000	2.7	10 / ctn



EN-Standard 75mm 10T EN ratchet lashing strap "J" HOOK

ITEM NO	LENGTH	WORKING LOAD LIMIT		WEIGHT	FACTORY PACKAGE
	(M)	(LC)	(KG)	(KG/ea.)	
TD10000J-6	6	5000	10000	6.5	4 / ctn
TD10000J-8	8	5000	10000	7.2	4 / ctn
TD10000J-10	10	5000	10000	7.54	4 / ctn



EN-Standard 50mm 4T ratchet lashing strap "J" HOOK

ITEM NO	LENGTH	WORKING LOAD LIMIT		WEIGHT	FACTORY PACKAGE
	(M)	(LC)	(KG)	(Lbs/ea.)	
TD4000J-8	8	2000	4000	2.35	10 pr./ ctn
TD4000J-10	10	2000	4000	2.55	10 / ctn
TD4000J-12	12	2000	4000	2.75	10 / ctn



EN-Standard 50mm 2T ratchet lashing strap E-fitting

ITEM NO	LENGTH	WORKING LOAD LIMIT		WEIGHT	FACTORY PACKAGE
	(M)	(LC)	(KG)	(KG/ea.)	
TD2000E-6	6	1000	2000	2.6	20 / ctn
TD2000E-8	8	1000	2000	2.75	20 / ctn
TD2000E-10	10	1000	2000	2.9	20 / ctn



EN-Standard 35mm 3T ratchet lashing strap "J" HOOK

ITEM NO	LENGTH	WORKING LOAD LIMIT		WEIGHT	FACTORY PACKAGE
	(M)	(LC)	(KG)	(Lbs/ea.)	
TD3000J-8	8	1500	3000	1.4	20 pr./ ctn
TD3000J-10	10	1500	3000	1.56	20 / ctn
TD3000J-12	12	1500	3000	1.72	20 / ctn



EN-Standard 25mm 0.8T ratchet lashing strap "S" HOOK

ITEM NO	LENGTH	WORKING LOAD LIMIT		WEIGHT	FACTORY PACKAGE
	(M)	(LC)	(KG)	(Lbs/ea.)	
TD800S-4	4	400	800	1.10	50 / ctn
TD800S-5	5	400	800	1.30	50 / ctn
TD800S-6	6	400	800	1.40	50 / ctn



EN-Standard 25mm 1.5T ratchet lashing strap "J" HOOK

ITEM NO	LENGTH	WORKING LOAD LIMIT		WEIGHT	FACTORY PACKAGE
	(M)	(LC)	(KG)	(Lbs/ea.)	
TD1500J-4	4	750	1500	0.32	30 pr./ ctn
TD1500J-5	5	750	1500	0.45	30 / ctn
TD1500J-6	6	750	1500	0.77	30 / ctn



Accessories can be replaced:



EN-Standard 25mm 0.8T SS ratchet lashing strap "SS" HOOK

ITEM NO	LENGTH	WORKING LOAD LIMIT		WEIGHT	FACTORY PACKAGE
	(M)	(LC)	(KG)	(Lbs/ea.)	
TD800SS-4	4	400	800	1.3	50 / ctn
TD800SS-6	6	400	800	1.4	50 / ctn
TD800SS-8	8	400	800	1.5	50 / ctn



Part No. TD001P



Part No. TD002P



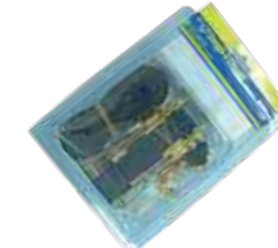
Part No. TD003P

EN-Standard 35mm 0.8T cambuckle lashing strap

ITEM NO	LENGTH	WORKING LOAD LIMIT		WEIGHT	FACTORY PACKAGE
	(M)	(LC)	(KG)	(Lbs/ea.)	
TD800C-4	4	400	800	0.4	40 / ctn
TD800C-5	5	400	800	0.45	40 / ctn
TD800C-6	6	400	800	0.5	40 / ctn



Part No. TD004P



Part No. TD005P



Part No. TD006P

EN-Standard 35mm 0.7T cambuckle lashing strap

ITEM NO	LENGTH	WORKING LOAD LIMIT		WEIGHT	FACTORY PACKAGE
	(M)	(LC)	(MBS)	(Lbs/ea.)	
TD700-4	4	350	700	0.4	50 / ctn
TD700-5	5	350	700	0.45	50 / ctn
TD700-6	6	350	700	0.5	50 / ctn



Part No. TD007P



Part No. TD008P



Part No. TD009P

EN-Standard 35mm 0.25T cambuckle lashing strap

ITEM NO	LENGTH	WORKING LOAD LIMIT		WEIGHT	FACTORY PACKAGE
	(M)	(LC)	(MBS)	(KG/ea.)	
TD250-5	4	125	250	0.14	100 / ctn
TD250-5	5	125	250	0.165	100 / ctn
TD250-6	6	125	250	0.19	100 / ctn



Part No. TD013P



Part No. TD014P



Part No. TD015P

TIE-DOWN BUCK

RETAILER TIE-DOWN PACK



Part No. TD016P



Part No. TD017P



Part No. TD018P



Part No. TD031P



Part No. TD032P



Part No. TD033P



Part No. TD019P



Part No. TD020P



Part No. TD021P



Part No. TD034P



Part No. TD035P



Part No. TD036P



Part No. TD022P



Part No. TD023P



Part No. TD024P



Part No. TD037P



Part No. TD038P



Part No. TD039P



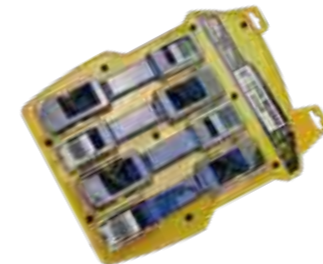
Part No. TD025P



Part No. TD026P



Part No. TD027P



Part No. TD040P



Part No. TD041P



Part No. TD042P



Part No. TD028P



Part No. TD029P



Part No. TD030P



Part No. TD043P



Part No. TD044P



Part No. TD045P

RETAILER TIE-DOWN PACK

RETAILER TIE-DOWN PACK

AUTOMATIC RATCHET TIE DOWNPOLYESTER

ITEM NO	JL2743	JL2327
BeltBreak Strength	11500kg	1500kg
Strop	PES 50mmx1.8m	PES 50mmx4.5m
RatedWorkLoad	750kg	750kg
Hook	S	J



ITEM NO	JL2326J	JL2326S
BeltBreak Strength	1000kg	1000kg
Strop	PES 38mmx4m	PES 38mmx4m
RatedWorkLoad	500kg	500kg
Hook	J	S



ITEM NO	JL2325S	JL2325J
BeltBreak Strength	640kg	640kg
Strop	PES 25mmx3.5m	PES 25mmx3.5m
RatedWorkLoad	320kg	320kg
Hook	S	J



ITEM NO	JL2324	JLAH-003D	JL2331
BeltBreak Strength	200kg	500kg	640kg
Strop	PES 18mmx2m	PES 25mmx4m	PES 25mmx1.8m
RatedWorkLoad	100kg	250kg	320kg
Hook	S	S	S



WEBBING



LASHING WEBBING

Item No.	Width		Breaking strength		Standard color
	INCH	MM	LBS	KGS	
LW25-9	1	25	1980	900	Red,blue
LW25-10	1	25	2200	1000	Red,blue,yellow
LW25-11	1	25	2420	1100	Red,blue
LW25-13	1	25	2970	1350	Blue,yellow,black
LW25-15	1	25	3410	1550	Yellow
LW25-18	1	25	3960	1800	Black
LW25-20	1	25	4400	2000	Red,blue,black
LW35-30	1.5	35	6600	3000	Red,blue,orange
LW50-27	2	50	5940	2700	Blue,yellow,gray
LW50-48	2	50	10560	4800	Blue,yellow,orange
LW50-50	2	50	11000	5000	Blue,yellow,orange
LW50-54	2	50	11880	5400	Blue,yellow,orange
LW50-60	2	50	13200	6000	Blue,yellow,orange
LW50-62	2	50	13640	6200	Blue,yellow,orange
LW50-75	2	50	16500	7500	Blue,yellow,orange
LW50-143	3	75	31460	14300	Yellow

SLING WEBBING

Item No.	Width		Breaking strength		Standard color
	INCH	MM	LBS	KGS	
SB25-35	1	25	7700	3500	Purple
SB30-45	1.25	30	9900	4500	Purple
SB50-75	2	50	16500	7500	Green
SB60-90	2.5	60	19800	9000	Green
SB75-112	3	75	24750	11250	Yellow
SB75-120	3	75	26400	12000	Yellow
SB90-135	3.5	90	29700	13500	Yellow
SB120-183	4.75	120	40370	18350	Gray
SB125-187	5	125	41250	18750	Red
SB150-225	6	150	49500	22500	Brown
SB180-280	7.25	180	61600	28000	Brown
SB200-300	8	200	66000	30000	Blue
SB200-362	8	200	79640	36200	Blue
SB250-375	10	250	82500	37500	Orange
SB250-400	10	250	88000	40000	Rde
SB250-451	10	250	99220	45100	Orange
SB300-450	12	300	99000	45000	Orange

AUTOMATIC RATCHET TIE DOWNPOLYESTER

WEBBING SLINGS

DOUBLE EYE FLAT WEBBING SLING

100% high tenacity polyester
 Low elongation
 With reinforced lifting eyes
 Length available:1m to 10m
 Single ply and Double ply
 According to EN1492-1:2000
 Safety factor available:6:1 7:1 8:1

Eye types

- Flat eye
- Reversed eye
- Folded eye 1/2 width from 1 sides
- Folded eye 1/2 width from 1 sides
- Folded eye 1/3 width



Item No.	Webbing width(mm)	Colour coded according to EN1492-1	Working load limit with 1webbing sling					Working load limit with 2webbing sling			
			Straight lift	Chocked lift	β			Straight lift up to 45°	Chocked lift up to 45°	Straight lift 45°-60°	Chocked lift 45°-60°
					0°-7°	7°-45°	45°-60°				
			1.0	0.8	2.0	1.4	1.0	1.4	1.12	1.0	0.8
WS-1	30	1T	1.000	0.800	2.000	1.400	1.000	1.400	1.120	1.000	0.800
WS-2	60	2T	2.000	1.600	4.000	2.800	2.000	2.800	2.240	2.000	1.600
WS-3	90	3T	3.000	2.400	6.000	4.200	3.000	4.200	3.360	3.000	2.400
WS-4	120	4T	4.000	3.200	8.000	5.600	4.000	5.600	4.480	4.000	3.200
WS-5	150	5T	5.000	4.000	10.000	7.000	5.000	7.000	5.600	5.000	4.000
WS-6	180	6T	6.000	4.800	12.000	8.400	6.000	8.400	6.720	6.000	4.800
WS-8	240	8T	8.000	6.400	16.000	11.200	8.000	11.200	8.960	8.000	6.400
WS-10	300	10T	10.000	8.000	20.000	14.000	10.000	14.000	11.200	10.000	8.000

Each 30mm webbing width is equal to 1 T capacity
 Each stripe is equal to 1 T capacity

DIN EN 1492-1, colour code, endless type, single construction, safety factor 7:1

Item No.	WLL in kg	Farben	Breite in mm	EWL 1,0 m	EWL 2,0 m	EWL 3,0 m	EWL 4,0 m	EWL 5,0 m	EWL 6,0 m	EWL 8,0 m
				Umfang 2,0 m	Umfang 4,0 m	Umfang 6,0 m	Umfang 8,0 m	Umfang 10,0 m	Umfang 12,0 m	Umfang 16,0 m
EWS-1	1.000	Purple	30	6,80	11,60	14,00	17,70	21,80	25,90	32,90
EWS-2	2.000	Green	60	12,30	18,10	23,70	29,90	34,60	40,60	51,90
EWS-3	3.000	Yellow	90	17,40	26,60	35,60	45,10	55,60	64,60	85,20
EWS-4	4.000	Grey	120	22,70	34,00	45,70	57,40	70,60	84,80	108,70
EWS-5	5.000	Red	150	31,40	45,20	59,40	76,10	90,30	104,60	133,10
EWS-6	6.000	Brown	180	42,00	58,90	79,90	103,10	124,30	145,20	187,40

ROUND SLING

100% high tenacity polyester
 Low elongation
 With reinforced lifting eyes
 Length available:1m to 10m
 Single ply and Double ply
 According to EN1492-1:2000
 Safety factor available:6:1 7:1 8:1
 Single/Double Sleeve available



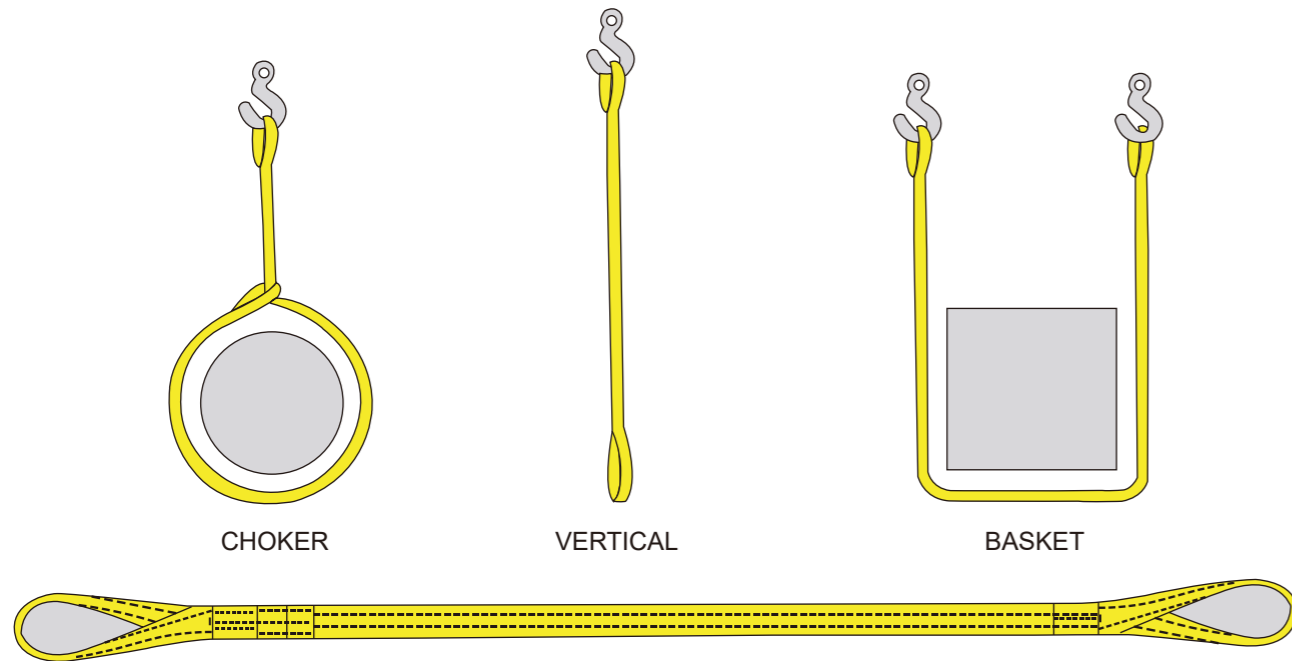
Item No.	Colour	Colour coded according to EN1492-1	Working load limit with 1webbing sling					Working load limit with 2webbing sling					
			Straight lift	Chocked lift	β			Straight lift up to 45°	Chocked lift up to 45°	Straight lift 45°-60°	Chocked lift 45°-60°		
					0°-7°	7°-45°	45°-60°						
			1.0	0.8	2.0	1.4	1.0	0.7	0.5	1.4	1.12	1.0	0.8
RS-1	Purple	1T	1.000	0.800	2.000	1.400	1.000	0.700	0.500	1.400	1.120	1.000	0.800
RS-2	Green	2T	2.000	1.600	4.000	2.800	2.000	1.400	1.000	2.800	2.240	2.000	1.600
RS-3	Yellow	3T	3.000	2.400	6.000	4.200	3.000	2.100	1.500	4.200	3.360	3.000	2.400
RS-4	Grey	4T	4.000	3.200	8.000	5.600	4.000	2.800	2.000	5.600	4.480	4.000	3.200
RS-5	Red	5T	5.000	4.000	10.000	7.000	5.000	3.500	2.500	7.000	5.600	5.000	4.000
RS-6	Brown	6T	6.000	4.800	12.000	8.400	6.000	4.200	3.000	8.400	6.720	6.000	4.800
RS-8	Blue	8T	8.000	6.400	16.000	11.200	8.000	5.600	4.000	11.200	8.960	8.000	6.400
RS-10	Orange	10T	10.000	8.000	20.000	14.000	10.000	7.000	5.000	14.000	11.200	10.000	8.000
RS-12	Orange	12T	12.000	9.600	24.000	16.800	12.000	8.400	6.000	16.800	13.440	12.000	9.600

OPERATION INSTRUCTION

- Never use slings with damages or defects.
- Only use slings with clear identifications.
- Before use, check working load limit, length and working position
- Never use slings with knots.
- Never use slings on sharp edges without the correct protection.
- Use the correct mode factor and check lifting angle before use.
- Trapping the sling when lowering the load should be avoided.
- Never use sling under 40°C or more than 100°C.
- Stitching should never be placed over hooks or other lifting devices.
- Sling should be stored in dry and clear conditions. Away from heat sources or direct sunlight and UV rays.
- In case of chemical attack, please check with the manufacturer.




POLYESTER TWISTED EYE TO SLING




- ▶ Light Weight & Economical
- ▶ 9,800 lbs. Polyester Webbing
- ▶ Single-Ply & Double-Ply Style
- ▶ Industry Compliant Sewn In Warning Tags
- ▶ Reinforced Eyes
- ▶ Tapered Eyes on 2", 3", & 4" Widths
- ▶ Complies with WSTDA -- WS-1-Type IV
- ▶ CL7 Web Slings

SINGLE-PLY 9,800 LB. TWISTED EYE TO EYE SLING

	ITEM NO	SIZE	CHOKER	VERTICAL	BASKET
	1TES3	1" x 3'	1,250	1,600	3,200
	1TES4	1" x 4'	1,250	1,600	3,200
	1TES6	1" x 6'	1,250	1,600	3,200
	1TES10	1" x 10'	1,250	1,600	3,200
	2TES3	2" x 3'	2,450	3,100	6,200
	2TES4	2" x 4'	2,450	3,100	6,200
	2TES6	2" x 6'	2,450	3,100	6,200
	2TES10	2" x 10'	2,450	3,100	6,200
	2TES12	2" x 12'	2,450	3,100	6,200
	2TES14	2" x 14'	2,450	3,100	6,200

DOUBLE-PLY 9,800 LB. TWISTED EYE TO EYE SLING

	ITEM NO	SIZE	CHOKER	VERTICAL	BASKET
	D1TES4	1" x 4'	2,450	3,100	6,200
	D1TES8	1" x 8'	2,450	3,100	6,200
	D2TES3	2" x 3'	4,950	6,200	12,400
	D2TES4	2" x 4'	4,950	6,200	12,400
	D2TES6	2" x 6'	4,950	6,200	12,400
	D2TES8	2" x 8'	4,950	6,200	12,400
	D2TES10	2" x 10'	4,950	6,200	12,400
	D2TES12	2" x 12'	4,950	6,200	12,400
	D2TES16	2" x 16'	4,950	6,200	12,400
	D2TES20	2" x 20'	4,950	6,200	12,400
	D2TES30	2" x 30'	4,950	6,200	12,400
	D3TES10	3" x 10'	7,040	8,800	17,600
	D3TES12	3" x 12'	7,040	8,800	17,600
	D3TES16	3" x 16'	7,040	8,800	17,600
	D3TES20	3" x 20'	7,040	8,800	17,600
	D4TES6	4" x 6'	8,800	11,000	22,000
	D4TES8	4" x 8'	8,800	11,000	22,000
	D4TES10	4" x 10'	8,800	11,000	22,000
	D4TES12	4" x 12'	8,800	11,000	22,000
	D4TES16	4" x 16'	8,800	11,000	22,000
D4TES20	4" x 20'	8,800	11,000	22,000	

WARNING:

Please read and comply with all warning on labels and packaging. Failure to do so may result in loss of load, serious property damage, and/or personal injury!

DO NOT exceed the rated capacity shown on the package and label attached to the sling. For Operating and Inspection Manuals for synthetic Web Slings, see the Web Slings and Tie Down Association Publication WSTDA-WS-2.

For Operating and Inspection Manuals for polyester Round Slings, see the Web Slings and Tie Down Association Publication WSTDA-RS-2.



EN 1492-1

SINGLE USE SLINGS

conform to harmonized standard EN 1492-1
 Factor of Safety 7:1 or 5:1
 canbe used as an integral part of the load
 size and length according to customer's needs
 material:100% PES
 product colour:white



One-Way- Endless- Slings according DIN 60005, safety factor 5:1, 4:1, label colour orange

Item No.	WLL Working Load Limit in kg	Breite Breadth in mm	Gurtbandtyp Webbing type
EWS-0.35	350	25	PES Gurtband farbig
EWS-0.45	450	25	PES Gurtband farbig
EWS-0.7	700	25	PES Gurtband farbig
EWS-0.9	900	35	PES Gurtband farbig
EWS-1.4	1.400	35	PES Gurtband farbig
EWS-1.5	1.500	50	PES Gurtband farbig
EWS-1.9	1.900	50	PES Gurtband farbig
EWS-2.4	2.400	50	PES Gurtband farbig
EWS-0.8	800	48	ASG Bandschlinge aus Autosicherheitsgurtband

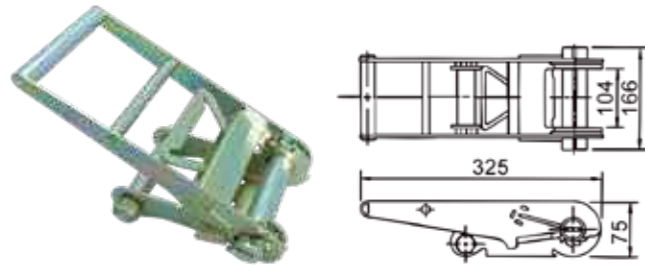


FLAT WEBBING SLINGS WITH METAL FITTINGS

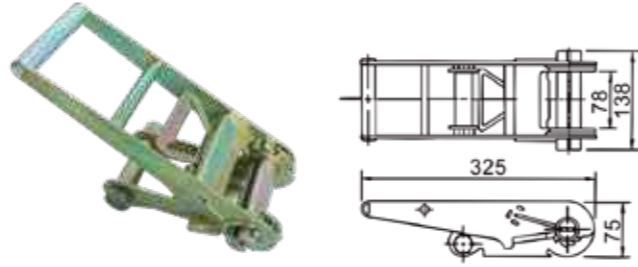
Item No.	Colour	Width mm	Ply	W.L.L. (kg)				
				Vertical	Horizontal	U-shape	45°	60°
2WMF-1	Green	60	1	1.000	800	2.000	1.400	1.000
2WMF-2	Green	60	2	2.000	1.600	4.000	2.800	2.000
3WMF-1.5	Yellow	90	1	1.500	1.200	3.000	2.100	1.500
3WMF-3	Yellow	90	2	3.000	2.400	6.000	4.200	3.000
4WMF-2	Grey	120	1	2.000	1.600	4.000	2.800	2.000
4WMF-4	Grey	120	2	4.000	3.200	8.000	5.600	4.000
5WMF-2.5	Red	150	1	2.500	2.000	5.000	3.500	2.500
5WMF-5	Red	150	2	5.000	4.000	10.000	7.000	5.000
6WMF-3	Brown	180	1	3.000	2.400	6.000	4.200	3.000
6WMF-6	Brown	180	2	6.000	4.800	12.000	8.400	6.000
7WMF-4	Blue	240	1	4.000	3.200	8.000	5.600	4.000
7WMF-8	Blue	240	2	8.000	6.400	16.000	11.200	8.000
8WMF-5	Orange	300	1	5.000	4.000	10.000	7.000	5.000
8WMF-10	Orange	300	2	10.000	8.000	20.000	14.000	10.000



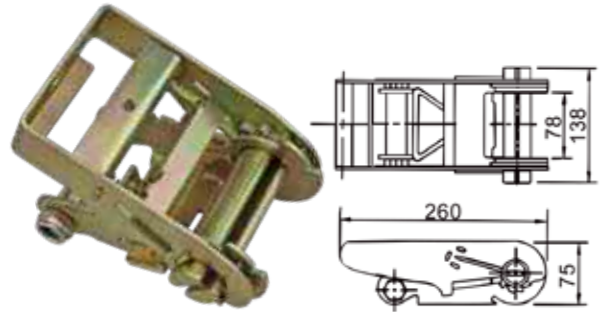
Buckles



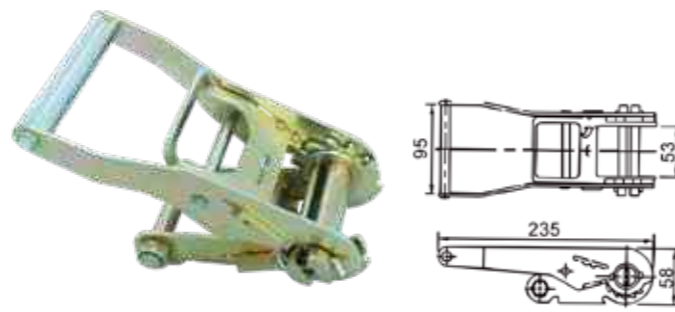
JL9904/JL9904SS
4" B.S.10000Kg/7000Kg



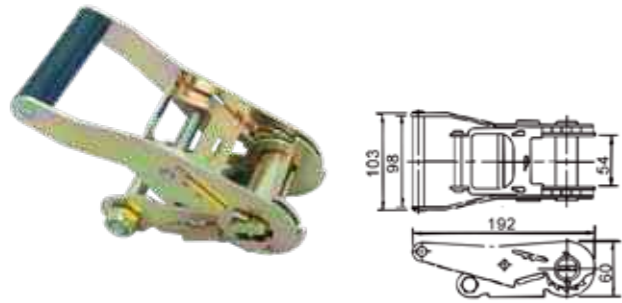
JL9903A/JL9903ASS
3" B.S.10000Kg/7000Kg



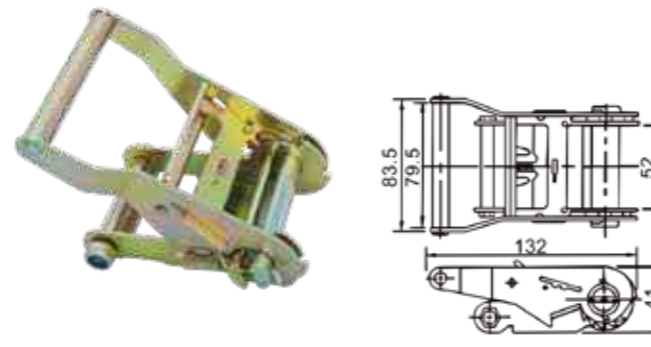
JL9903B
3" B.S.10000Kg



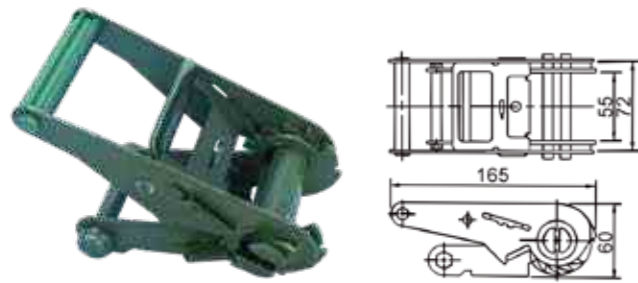
JL9902A
2" B.S.5000Kg



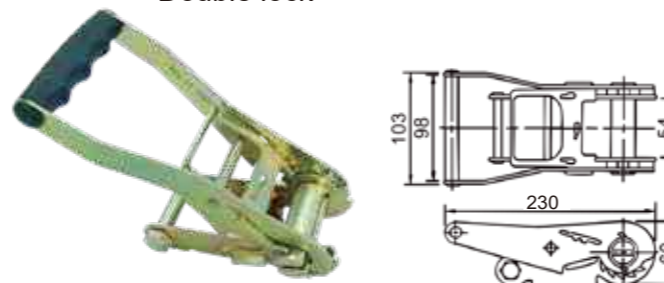
JL9902B
2" B.S.5000Kg



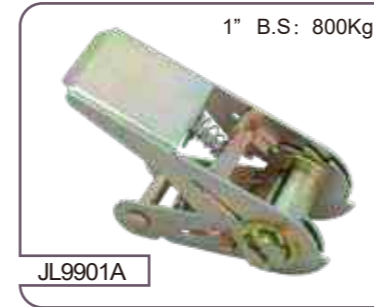
JL9902C
2" B.S.2000Kg
JL9902CK
Double lock



JL9902D
2" B.S.5500Kg



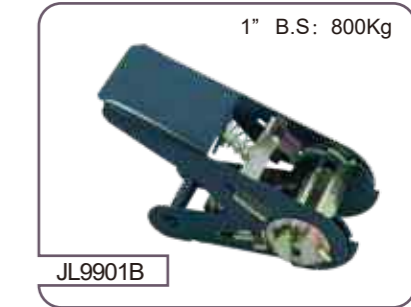
JL9902E
2" B.S.5000Kg



JL9901A



JL9901A-1



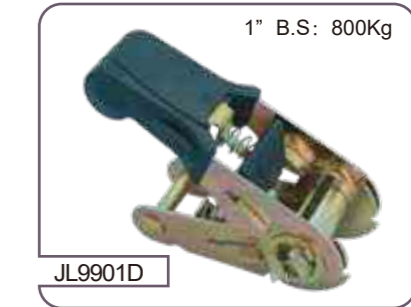
JL9901B



JL9901C



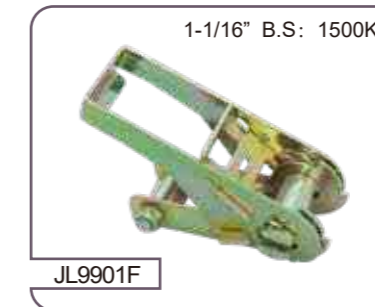
JL9901C-3



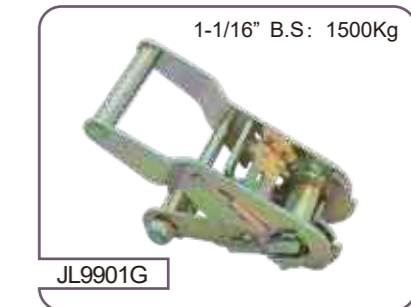
JL9901D



JL9901E



JL9901F



JL9901G



JL9901H



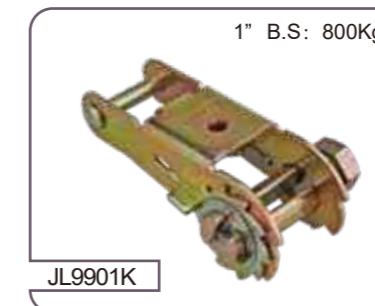
JL9901I



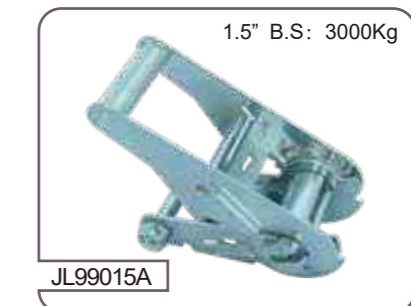
JL9901I-1



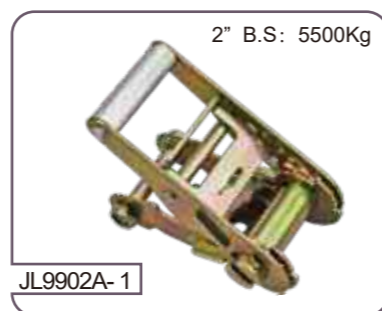
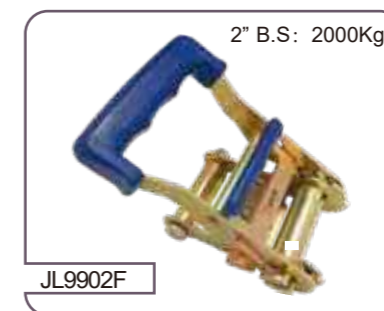
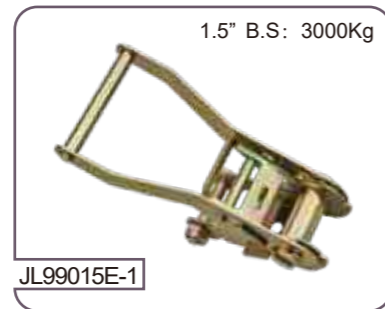
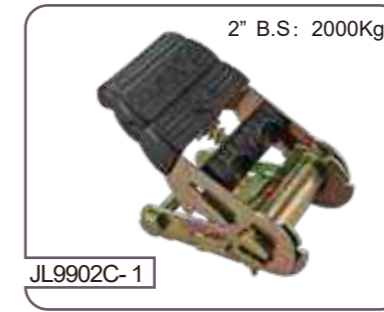
JL9901J



JL9901K



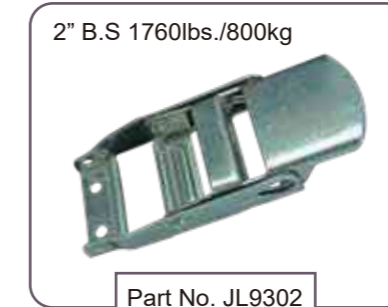
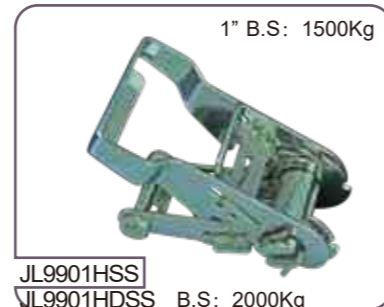
JL99015A



GENERAL HARDWARE

GENERAL HARDWARE

OVERCENTER BUCKLES (Material steel,SS 316 SS 304 SS430)



More stainless steel version, Please ask sales.

GENERAL HARDWARE

GENERAL HARDWARE



GENERAL HARDWARE

GENERAL HARDWARE

CAM BUCKLE



Part No. JL9401
50mm B.S 700Kg



Part No. JL9402
25mm B.S 680Kg



Part No. JL9403
25mm B.S 700Kg



Part No. JL9416
25mm B.S 600Kg



Part No. JL9417
25mm B.S 450Kg



Part No. JL9418
25mm B.S 1150Kg



Part No. JL9404
25mm B.S 350Kg



Part No. JL9405
35mm B.S 800Kg



Part No. JL9406
14mm B.S 100Kg



Part No. JL9419
25mm B.S 450Kg



Part No. JL9420
25mm B.S 600Kg



Part No. JL9421
25mm B.S 800Kg



Part No. JL9407
18mm B.S 180Kg



Part No. JL9408
20mm B.S 200Kg



Part No. JL9409
25mm B.S 450Kg



Part No. JL9422
25mm B.S 500Kg



Part No. JL9423SS
25mm B.S 500Kg



Part No. JL9424
35mm B.S 600Kg



Part No. JL9410
25mm B.S 250Kg



Part No. JL9411-1
25mm B.S 100Kg

Part No. JL9411-2
50mm B.S 100Kg



Part No. JL9412
25mm B.S 450Kg



Part No. JL9425
40mm B.S 600/900Kg



Part No. JL9426
50mm B.S 1200Kg



Part No. JL9427
50mm B.S 1150Kg



Part No. JL9413
25mm B.S 800Kg



Part No. JL9414
25mm B.S 350Kg



Part No. JL9415
35mm B.S 800Kg



Part No. JL9428
50mm B.S 600Kg



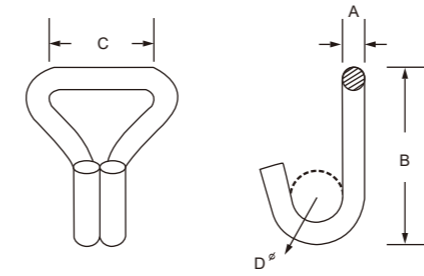
Part No. JL9429
50mm B.S 900Kg



Part No. JL9430SS
35mm B.S 900Kg



Wire Hooks»



JL9025
B.S. 3000Kg



JL9026
B.S. 5000Kg



JL9027-1
B.S. 1100Kg



JL9027-2
B.S. 750Kg



JL9027-3
B.S. 1500Kg



JL9027-4
B.S. 500Kg



JL9027-5
B.S. 1500Kg



JL9027-6
B.S. 950Kg



JL9027-7
B.S. 2000Kg



JL9027-8
1"PVC S Hook
B.S. 500Kg



JL9028
1.5"Single J Hook
B.S. 3000Kg



JL9029
2"Single J Hook
B.S. 5000Kg



JL9030
1.5"Claw Hook
B.S. 3000Kg



JL9031
2"Claw Hook
B.S. 5000Kg



JL9032
3"Claw Hook
B.S. 10000Kg



JL9033
3" One Way
Lashing Hook
B.S. 10000Kg

Double J Hook

	ITEM Number	CAP. (Kg)	A ^ø	B	C	D
1"	JL9001	800	6	49	28	10
	JL9002	800	6	55	27	19
	JL9003	1500	7	60	27	20
	JL9004	2000	8	80	28	20
	JL9005	2500	9	85	25	20
1 1/2"	JL9006	1500	7	51	35	11
	JL9007	2500	9	62	36	18
	JL9008	2500	8	85	38	16
	JL9009	3000	10	70	38	19
	JL9010	3000	9.5	85	38	16
2"	JL9011	3000	9.5	93	40	18
	JL9012	700	6	69	54	25
	JL9013	1500	7	70	52	25
	JL9014	2000	8	75	52	18
	JL9015	2000	8	86	50	18
	JL9016	2000	8	97	50	18
	JL9017	2500	9	90	50	19
	JL9018	3000	9.5	85	50	25
	JL9019	5000	12	85	50	25
	JL9020	5000	12	96	50	25
	JL9021	5000	12	107	50	25
	JL9022	6800	13	101	50	25
3"	JL9023	10000	16	130	76	18
4"	JL9024	10000	16	135	102	25
Stain less stell	JL9004SS	500	8	80	28	20
	JL9005SS	1500	9	85	25	20
	JL9020SS	5000	12	96	50	25

S Hook»



JL9027-1
B.S. 1100Kg



JL9027-2
B.S. 750Kg



JL9027-3
B.S. 1500Kg



JL9027-4
B.S. 500Kg



JL9027-5
B.S. 1500Kg



JL9027-6
B.S. 950Kg



JL9027-7
B.S. 2000Kg



JL9027-8
1"PVC S Hook
B.S. 500Kg



JL9028
1.5"Single J Hook
B.S. 3000Kg



JL9029
2"Single J Hook
B.S. 5000Kg



JL9030
1.5"Claw Hook
B.S. 3000Kg



JL9031
2"Claw Hook
B.S. 5000Kg



JL9032
3"Claw Hook
B.S. 10000Kg



JL9033
3" One Way
Lashing Hook
B.S. 10000Kg



JL9034
1" Hook And Keeper
B.S. 1500Kg



JL9035
1.5" Hook And Keeper
B.S. 3000Kg



JL9036
2" Hook And Keeper
B.S. 5000Kg



JL9037
3" Hook And Keeper
B.S. 10000Kg



JL9054
1.5" Swivel J Hook, with Bolt
B.S. 3000Kg



JL9055
2" Swivel J Hook, with Bolt
B.S. 5000Kg



JL9056
2" Forged Hook
B.S. 5000Kg



JL9057
2" Triangle Ring
B.S. 5000Kg



JL9038
2" Close Rave Hook
B.S. 900Kg



JL9039
2" Close Rave Hook
B.S. 1600Kg



JL9040
1.5" Swivel J Hook
B.S. 3000Kg



JL9041
2" Swivel J Hook
B.S. 5000Kg



JL9058
2" Metal Delta Ring
B.S. 5000Kg



JL9059
3" Delta Ring
B.S. 8000Kg



JL9060
4" Delta Ring
B.S. 9000Kg



JL9061
2" Belt Hook
B.S. 4000Kg



JL9042
2" Welded Double J Hook
B.S. 5000Kg



JL9043
1" Circle Claw Hook
B.S. 1600Kg



JL9044
1" Small Wire Hook
B.S. 100Kg



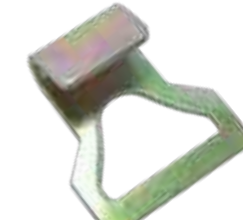
JL9045
2" Rectangle Ring
B.S. 5000Kg



JL9062
1" Flat Hook
B.S. 1500Kg



JL9063
2" Forged Flat Hook
B.S. 5000Kg



JL9064
2" Metal Flat Hook
B.S. 3000Kg



JL9064A
3" Metal Flat Hook
B.S. 3000Kg



JL9046-1/ 9046-2
3" Belt Shackle Hook
B.S. 20000;12000Kg



JL9047
2" Belt Shackle Hook
B.S. 12000Kg



JL9048
1" D Ring
B.S. 1500Kg



JL9049
1.5" D Ring
B.S. 1500Kg



JL9065
1.5" Flat Hook
B.S. 5000Kg



JL9066 / JL9066B
2" Flat Hook, Steel/Alu Kepper
B.S. 5000Kg



JL9069
1.5" OVB Hook
B.S. 1000Kg



JL9070-1-2
1";2" Butterfly Hook
B.S. 1000;2500Kg



JL9050
2" D Ring
B.S. 1500Kg



JL9051
6mm O Ring
B.S. 1500Kg



JL9052
9mm D Ring
B.S. 2000Kg



JL9053
10mm O Ring
B.S. 3000Kg



JL9071
1" Flat Snap Hook
B.S. 1500Kg



JL9072
2" Flat Snap Hook
B.S. 4000Kg



JL9073
2" Flat Snap Hook
B.S. 5000Kg



JL9073-1-2
3" Flat Snap Hook
B.S. 7500Kg

Anchor Points



JL9074
2" Twisted Snop Hook
B.S. 5000Kg



JL9075-1-2-3
1";1.5";2" One Way Buckle
B.S. 3000;4000;5000Kg



JL9076
2" Swivel Snop Hook
B.S. 5000Kg



JL9077
E-Fitting 3pcs
B.S. 2000Kg



JL9094
Beam Socket
B.S. 1000Kg



JL9095
E Beam End W/Pin
B.S. 2000Kg



JL9096
Eye Plate
Stainless Steel



JL9097
Marine Barss Pump
B.S. 500Kg



JL9078
3" Flat Hook W/Alu Clip
B.S. 6800Kg



JL9079
4" Flat Hook W/Alu Clip
B.S. 7500Kg



JL9080
Series E/A Spring Fitting
B.S. 2050Kg



JL9081
Single Stud Fitting
B.S. 1500Kg



JL9098
Marine Bolt Fitting (Black)
B.S. 1000Kg



JL9099
Marine Bolt Fitting (Silver)
B.S. 1000Kg



JL9100
Recessed Anchor
B.S. 550Kg



JL9100-1
Surface Mount Anchor
B.S. 550Kg



JL9082
Single Stud Fitting W/SS O Ring
B.S. 1500Kg



JL9083
Double Stud Fitting
B.S. 2750Kg



JL9084
Double Stud Fitting
W/Pear Ring
B.S. 2750Kg



JL9085
Double Stud Fitting
W/O Ring
B.S. 2750Kg



JL9100-2
Swivel Anchor
B.S. 2500Kg



JL9100-3
Heavy Duty Recessed Anchor
B.S. 2270Kg



JL9100-4
Light Duty Recessed Anchor
B.S. 550Kg



JL9100-5
Light Duty Recessed Anchor
B.S. 350Kg



JL9086
1" Car Lashing Hook
B.S. 2000Kg



JL9087
Series E/A Fitting W/O Ring
B.S. 1900Kg



JL9088
Single Stud Fitting
W/SS D Ring
B.S. 1500Kg



JL9089
Quick Link (3.5mm-16mm)
For All Size,Pls ask Sales



JL9100-6
Heavy Duty Recessed Anchor
B.S. 2200Kg



JL9100-7
Swing Away Rope Hook
B.S. 500Kg



JL9100-8
J Tie Hook
B.S. 2000Kg



JL9100-9
Marine Fitting
B.S. 500Kg



JL9090
Towing Shackles
B.S. 7000Kg



JL9091
Safety Snap Hook
B.S. 2500Kg



JL9092
Nylon OVB Fitting
B.S. 500Kg



JL9093
S.Steel OVB Fitting
B.S. 500Kg



JL9100-10
Large Aluminum Clamp



JL9100-11
Small Aluminum Clamp



JL9100-12
Suction Cup



JL9100-13
Tarp Clip



JL9100-14



JL9100-15



JL9100-16



JL9100-17



CLEVIS GRAB HOOK.self colored or zinc plated(G70,G43 Available)

ART.NO.	CHAIN SIZE inch	W.LL(lbs)		I.L inch	N.W. lbs
		G43	G70		
JL9105-1	1/4	1950	2750	2.56	0.52
JL9105-2	5/16	2875	4300	2.87	0.77
JL9105-3	3/8	4000	5250	3.25	1.23
JL9105-4	7/16	5000	7000	3.70	2.10
JL9105-5	1/2	6500	9000	4.00	2.85

MIN. BREAKING STRENGTH=4 X W.L.L.



CLEVIS GRAB HOOK.self colored or zinc plated(G70,G43 Available)

ART.NO.	CHAIN SIZE inch	W.LL(lbs)		I.L inch	N.W. lbs
		G43	G70		
JL9101-1	1/4	2600	3600	1.97	0.40
JL9101-2	5/16	3900	5400	2.26	0.70
JL9101-3	3/8	5400	7500	2.63	1.00
JL9101-4	7/16	7200	10000	2.75	1.50
JL9101-5	1/2	9200	12750	3.19	2.10
JL9101-6	5/8	12750	19000	4.09	4.20
JL9101-7	3/4	18500	27000	4.63	6.50

MIN. BREAKING STRENGTH=4 X W.L.L.



AUSTRALIAN CLEVIS GRAB HOOK(G70,G43 Available)

ART.NO.	CHAIN SIZE inch	W.L.L lbs	M.B.S. lbs	N.W. lbs
JL9106-2	5/16	4400	18800	0.76
JL9106-3	3/8	6600	23150	1.20
JL9106-4	1/2	11000	40780	2.10

MIN. BREAKING STRENGTH=4 X W.L.L.



CLEVIS GRAB HOOK.self colored or zinc plated(G70,G43 Available)

ART.NO.	CHAIN SIZE inch	W.LL(lbs)		I.L inch	N.W. lbs
		G43	G70		
JL9102-1	1/4	1950	2750	2.56	0.50
JL9102-2	5/16	2875	4300	2.87	0.75
JL9102-3	3/8	4000	5250	3.25	1.20
JL9102-4	7/16	5000	7000	3.70	2.06
JL9102-5	1/2	6500	9000	4.00	2.80
JL9102-6	5/8	9250	13500	4.94	4.75
JL9102-7	3/4	12500	19250	6.09	10.30

MIN. BREAKING STRENGTH=4 X W.L.L.



EYE HOIST HOOK.self colored or zinc plated(G70,G43 Available)

ART.NO.	W.LL(lbs)		I.L inch	I.D.OF EYE inch	N.W. lbs
	G43	G70			
JL9107-1	1/2	3/4	2.80	0.63	0.35
JL9107-2	3/4	1	3.22	0.75	0.55
JL9107-3	1	1-1/2	3.66	0.91	0.75
JL9107-4	1-1/2	2	4.09	1.12	1.25
JL9107-5	2	3	4.69	1.25	1.70
JL9107-6	3	4-1/2	5.78	1.56	3.60
JL9107-7	5	7	7.38	2.00	7.08
JL9107-8	7-1/2	11	9.06	2.44	13.00

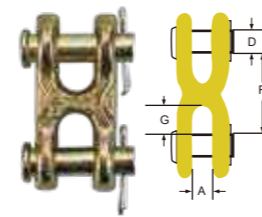
PROOF LOAD=2 X W.L.L.;MIN BREAKING STRENGTH=5 X W.L.L.



EYE GRAB HOOK.self colored or zinc plated(G70,G43 Available)

ART.NO.	CHAIN SIZE inch	W.LL(lbs)		I.L inch	N.W. lbs
		G43	G70		
JL9103-1	1/4	2600	3600	1.97	0.28
JL9103-2	5/16	3900	5400	2.25	0.45
JL9103-3	3/8	5400	7500	2.56	0.79
JL9103-4	7/16	7200	10000	2.94	1.19
JL9103-5	1/2	9200	12750	3.38	1.80
JL9103-6	5/8	12750	19000	4.11	3.30
JL9103-7	3/4	18500	27000	5.16	6.00

MIN. BREAKING STRENGTH=4 X W.L.L.



G70 Double Clevis

Drop forged, medium alloy steel, quenched and tempered. Use with G70 Tran sport chain.

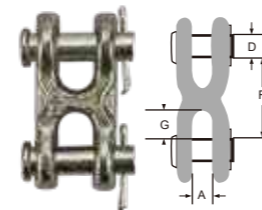
ART.NO.	Chain Size (Inches)	Dimensions (Inches)				Weight (Lbs/ea.)	Working load Limit(Lbs)
		A	R	D	G		
JL9289-1	1/4-5/16	0.47	1.18	0.38	0.43	0.30	4,700
JL9289-2	3/8	0.53	1.34	0.47	0.48	0.40	6,600
JL9289-3	7/16-1/2	0.65	1.75	0.56	0.63	0.98	11,300



EYE GRAB HOOK.self colored or zinc plated(G70,G43 Available)

ART.NO.	CHAIN SIZE inch	W.LL(lbs)		I.L inch	N.W. lbs
		G43	G70		
JL9104-1	1/4	1950	2750	2.56	0.40
JL9104-2	5/16	2875	4300	2.95	0.70
JL9104-3	3/8	4000	5250	3.36	1.00
JL9104-4	7/16	5000	7000	3.88	1.60
JL9104-5	1/2	6500	9000	4.28	2.40
JL9104-6	5/8	9250	13500	5.22	4.00
JL9104-7	3/4	12500	19250	6.50	6.50

MIN. BREAKING STRENGTH=4 X W.L.L.



G43 Double Clevis

Drop forged, medium carb on steel, quenched and tempered. Use with G30 and G43 chain.

ART.NO.	Chain Size (Inches)	Dimensions (Inches)				Weight (Lbs/ea.)	Working load Limit(Lbs)
		A	R	D	G		
JL9290-1	1/4-5/16	0.47	1.18	0.38	0.43	0.30	3,900
JL9290-2	3/8	0.53	1.34	0.47	0.48	0.40	5,400
JL9290-3	7/16-1/2	0.65	1.75	0.56	0.63	0.98	9,200



JL9108-1-2-3
8;10;13mm LUG LINK
B.S. 6200;7500;11000Kg



JL9109
GR 8 Forest Hook
B.S. 6000Kg



JL9110
7/16 Snap Hook
B.S. 1500Kg



JL9111
Forged Tow Hook
B.S. 5000Kg



JL9128
Swivel Forged Hook
B.S. 20000Kg



JL9129
Wire Clamp
B.S. 1000Kg



JL9130
Chain Fitting



JL9131
3/8 Pipe Clamp



JL9112
Tde Hook
B.S. 2500Kg



JL9113
3/16 Tow Hook
B.S. 2000Kg



JL9114
1/4 Tow Hook
B.S. 4000Kg



JL9115
5/16 Puller Hook
B.S. 4000Kg



JL9132
Wire Clamp



JL9133
Grade S Dee Shackle(6-51mm)
Pls Ask Sales



JL9134
Grade S Bow Shackle(6-51mm)
Pls Ask Sales



JL9135
Truck Lock



JL9116
Tde Hook W/Triangle
B.S. 2500Kg



JL9117
3 Triangle Hook W/Latch
B.S. 10000Kg



JL9118
1/4 Puller Hook
B.S. 2000Kg



JL9119
2 Triangle Hook W/Latch
B.S. 5000Kg



JL9136
2 Triangle Ring
B.S. 5000Kg



JL9137
9mm D Ring
B.S. 20000Kg



JL9138
S.S. Swivel Eye Hook
6;8;10;12mm



JL9139
S.S. Eye Slip Hook
6;8;10;12mm



JL9120-1-2-3
Chain Hook 8;10;13mm
B.S. 10000;15000;20000Kg



JL9121
Towing Hook
B.S. 10000Kg



JL9122
Truck Fitting



JL9123
Forge Hook
B.S. 10000Kg



JL9140
Small Tie Down



JL9141
Economical Tie Down



JL9142
Large Tie Down



JL9143
Steel Plate



JL9124-1-2-3
Eye Hook
B.S. 1200;2000;3200Kg



JL9125-1-2-3
High Strength Hook
B.S. 2500;3800;5000Kg



JL9126-1-2-3
Chain Hook 8;10;13mm
B.S. 10000;15000;20000Kg



JL9127
Chain Hook



JL9144
Nylon Anchor



JL9145
Wire Clamp



JL9146
Pipe Lock



JL9147
Double Stud
W/Ring and Hook



JL9148
Cargo Net Hook



JL9149
Cargo Net Hook



JL9150
Recessed TT Lashing Ring
B.S. 5000Kg



JL9151
Forged Hook
B.S. 5000Kg



JL9168



JL9169



JL9170



JL9171



JL9152
Safety Belt Hook



JL9153
S.S. Wire Rope Clip



JL9154
S.S. Wire Rope Clip(Malleable)



JL9155
Eye Screw Din 580



JL9172



JL9173



JL9174



JL9175



JL9156
Eye Nut Din 582



JL9157
Welded Eye Bolt W/Ring



JL9158
Eye Screw W/Long Bolt



JL9159
S.S. Cleat



JL9176



JL9177



JL9178



JL9179



JL9160



JL9161



JL9162



JL9163



JL9180



JL9181



JL9182



JL9183



JL9164



JL9165



JL9166



JL9167



JL9184



JL9185



JL9186



JL9187

ATTACHMENT HARDWARE

RIGGING



JL9188



JL9189



JL9190



JL9191



JL9208



JL9209



JL9210



JL9211



JL9192



JL9193



JL9194



JL9195



JL9212



JL9213



JL9214



JL9215



JL9196



JL9197



JL9198



JL9199



JL9216



JL9217



JL9218



JL9219



JL9200



JL9201



JL9202



JL9203



JL9220



JL9221



JL9222



JL9223



JL9204



JL9205



JL9206



JL9207



JL9224



JL9225



JL9226



JL9227



JL9228



JL9229



JL9230



JL9231



JL9248



JL9249



JL9250



JL9251



JL9232



JL9233



JL9234



JL9235



JL9252



JL9253



JL9254



JL9255



JL9236



JL9237



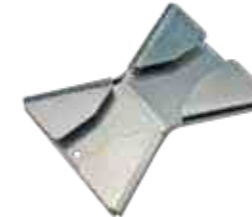
JL9238



JL9239



JL9256



JL9257



JL9258



JL9259



JL9240



JL9244



JL9242



JL9243



JL9260



JL9261



JL9262



JL9263



JL9244



JL9245



JL9246



JL9247



JL9264



JL9265



JL9266



JL9267



JL9268

JL9269

JL9270

JL9271



JL9272



JL9273



JL9274



JL9275



JL9276



JL9277



JL9278



JL9279

E-track



JL9520



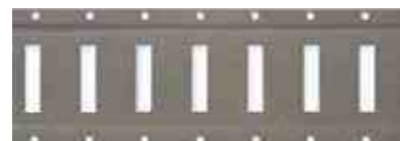
JL9521



JL9522



JL9523



JL9524



JL9525



JL9526



JL9527



JL9528



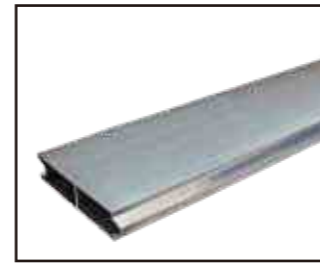
JL9529



JL9530



JL9531



JL9532



JL9533



JL9534

Decking bean



JL9535 / JL9535HD
Light duty / Heavy duty



JL9536

Cargo Plank



JL9537

Steel Cargo Bar



JL9538



JL9539

Alu Cargo Bar



JL9540



JL9541

Jack Bar



JL9542



JL9543

3-STRAND,4-STRAND and 6-STRAND POPES of PP,PE,PA,PET,UHMAPE



ITEM NO	SPECIFICATIONS		PP		PE	
	DIAME	CIRC	WEIGHT	BREAKING STRENGTH	WEIGHT	BREAKING STRENGTH
	(mm)	(inch)	(kg/220m)	(dan)	(kg/220m)	(dan)
1001	6	3/4	3.9	520	4.1	392
1002	8	1	6.9	910	7.2	686
1003	10	1-1/4	10.4	1300	10.6	1070
1004	12	1-1/2	15.0	1920	15.9	1510
1005	14	1-3/4	20.8	2530	20.9	2050
1006	16	2	26.6	3170	28.2	2750
1007	18	2-1/4	34.2	4150	35.1	3400
1008	20	2-1/2	41.6	4880	44.0	4190
1009	22	2-3/4	50.8	5890	53.5	4980
1010	24	3	60.1	6890	64.9	5980
1011	26	3-1/4	73.7	7900	74.4	6860
1012	28	3-1/3	77.3	9140	86.2	7910
1013	30	3-3/4	92.5	9690	99.0	9040
1014	32	4	106	11660	113	10300
1015	36	4-1/2	135	14600	143	12900
1016	40	5	166	17640	177	15800
1017	44	5-1/2	203	21210	214	19000
1018	48	6	2400	24680	255	22500
1019	52	6-1/2	285	28560	299	26200

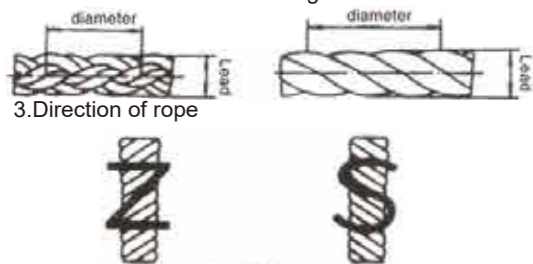
8-STRAND and 12-STRAND POPES of POLYPROPYLENE,POLY-PROYLENE MULTIFILAMENT



ITEM NO	SPECIFICATIONS		PP	
	DIAME	CIRC	WEIGHT	BREAKING STRENGTH
	(mm)	(inch)	(kg/220m)	(dan)
1020	36	4-1/2	129	15800
1021	40	5	158	19100
1022	44	5-1/2	194	23000
1023	48	6	229	26700
1024	52	6-1/2	268	30900
1025	56	7	312	35300
1026	60	7-1/2	359	40400
1027	64	8	407	45700
1028	72	9	515	45700
1029	80	10	638	70600
1030	88	11	772	84700
1031	96	12	917	100000
1032	100	12-3/8	1040	110000
1033	105	13	1147	119000
1034	110	13-5/8	1254	129000
1035	115	14-1/4	1377	140000
1036	120	14-7/8	1496	150000



NOTE:
Please specify the following in ordering ropes:
1.Assortment:Polyethylene,Polypropylene,Nylon
2.Diameter & lead as following



4.Length:Normal length is 220 meters per coil or by users



Item No.2001



Item No.2002



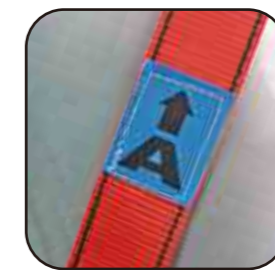
Item No.2003

SAFETY HARNESS

Harness with chest and legs adjustments.2 link points:Dorsal ring frontal textile loops.Used when Working at heights,construction and industry in general. The frontal link used for vertical acces.



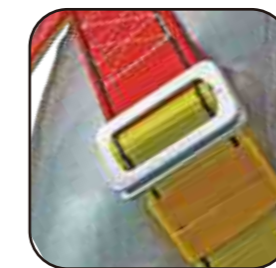
SHOULDER STRAP



BACK STRAP



ADJUSTING POINTS



LEG STRAPS



DORSAL CONNECTION



STITCHING

ENERGY ABSORBER

The utility model relates to a mining product, especially is a power absorber in inline mine anti-moving vehicle safeguard device which at least includes a cylinder, a flange fixed on one end of the cylinder and a large bearing, and is characterized in that: a small bearing is fixed on the other end of the cylinder, a spindle goes through the center of the flange and the large bearing and is fixed on the small bearing on the bottom end of the cylinder through a fixed shaft, the fixed shaft is jointed with a spring, one end of the spring is fixed on the terminal plate at the bottom of the cylinder and the other on the lower end of the spindle, the spindle is provided with a dynamic friction film and the blocking plate of the cylinder with a static friction film, the dynamic friction film and the static friction film are alternately connected. The power absorber has constant friction force, excellent energy-absorbing effect, and can be repeatedly used and replaced conveniently, thereby can ensure the energy-absorbing element work safe and reliable in structure.

SHOCK ABSORBER



CONNECTORS



Item No.2000-1
Snap Hook
M.B.S:5000Lbs



Item No.2000-2
Snap Hook
M.B.S:5000Lbs



Item No.2000-3
Ring
B.S:2200kg



Item No.2000-4
Ring
B.S:2200kg



Item No.2000-5
Ring
B.S:2200kg



Item No.2000-6
Ring
B.S:2200kg



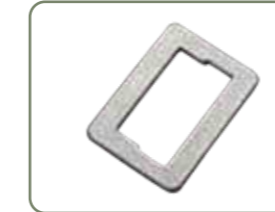
Item No.2000-7
Ring
B.S:2200kg



Item No.2000-8
Ring
M.B.S:5000Lbs



Item No.2000-9
Ring
M.B.S:5000Lbs



Item No.2000-10
Belt Hook
M.B.S:4000Lbs



Item No.2000-11
Belt Hook
B.S:1800kg



Item No.2000-12
Belt Hook
B.S:1800kg



Item No.2000-13
Buckle
B.S:1500kg



Item No.2000-14
Buckle
B.S:1800kg



Item No.2000-15
Buckle
B.S:1800kg



Item No.2000-16
Buckle



Item No.2000-17
Buckle
M.B.S:1800Lbs



Item No.2000-18
Two Latches Hook
M.B.S:2200Lbs



Item No.2000-19
Single Latches Hook
M.B.S:10000Lbs



Item No.2000-20
Two Latches Hook
M.B.S:5000Lbs



Item No.2000-21
Two Latches Hook
M.B.S:5000Lbs



Item No.2000-22
Two Latches Hook
M.B.S:5000Lbs



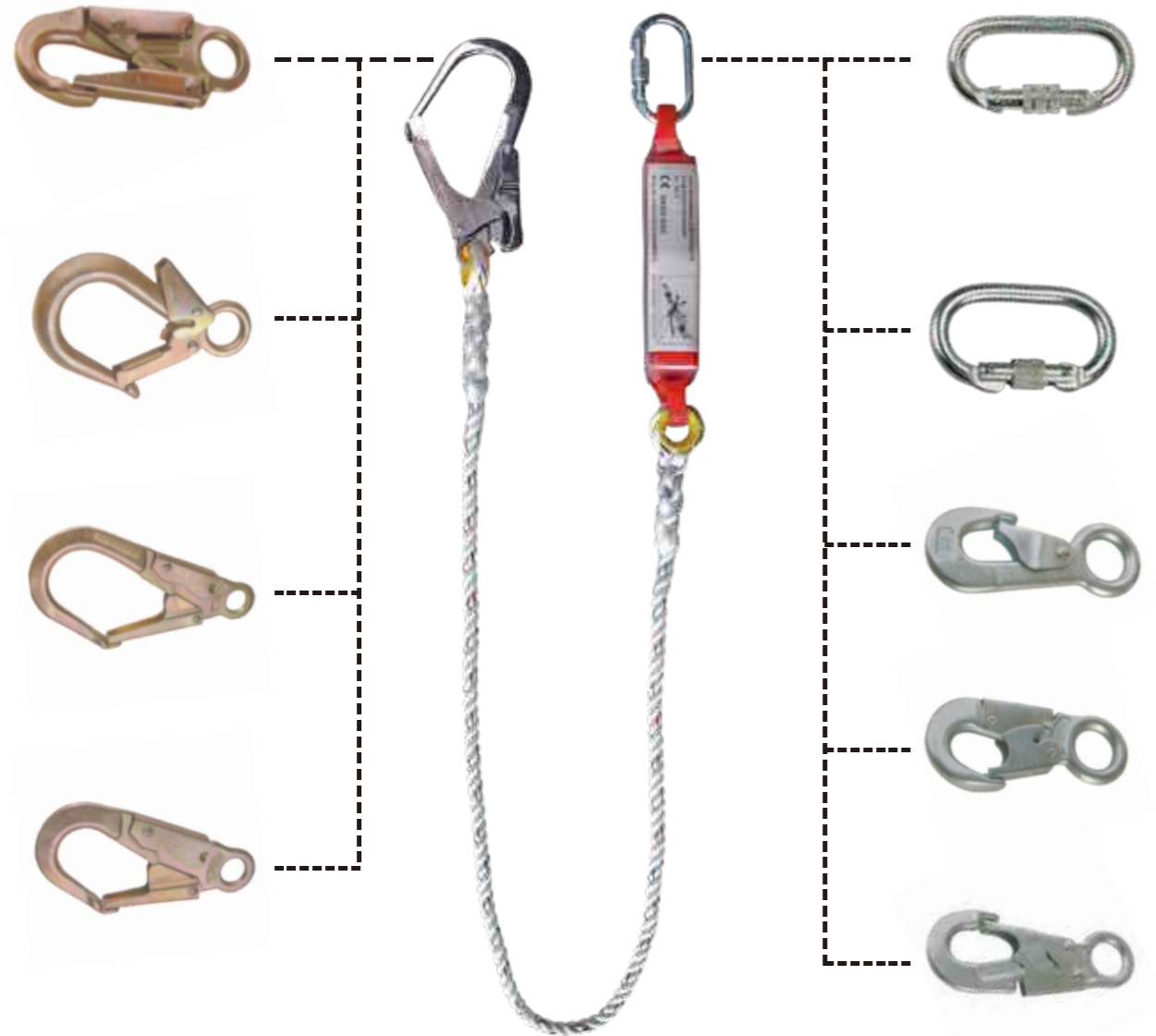
Item No.2000-23
Two Latches Hook
M.B.S:5000Lbs



Item No.2000-24
Two Latches Hook
M.B.S:5000Lbs

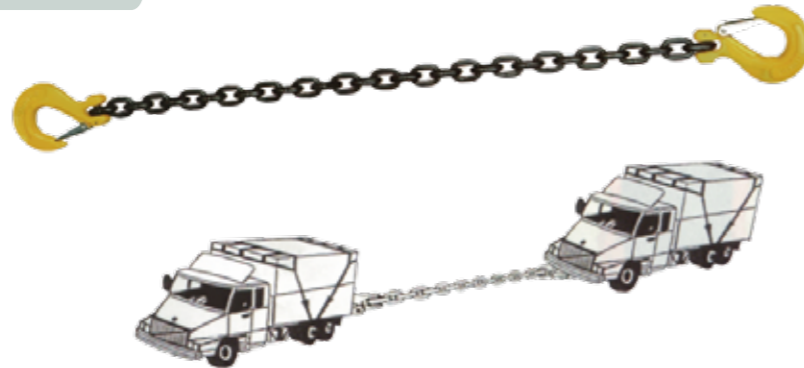
LIFTING PRODUCTS

LIFTING PRODUCTS



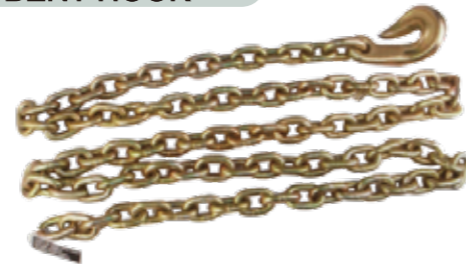
G80 TOWING CHAIN

ITEM NO	Chain size & Length	W.L.L (Kgs)
3000-1	6mmx5m	1200
3000-2	8mmx5m	2000
3000-3	10mmx5m	3200
3000-4	13mmx5m	5300
3000-5	16mmx5m	8000



G80 GOLDEN GALVANIZED CHAIN SLING WITH BENT HOOK

ITEM NO	Chain size & Length	W.L.L (Kgs)	M.B.S. (Kgs)	Unit Weight (Kgs)
3001-1	7.1mmx5'	1500	6000	3.38
3001-2	8.0mmx9'	2000	8000	4.05
3001-3	10mmx9'	3000	12000	6.50



G80 CHAIN WITH HOOK WELDED

ITEM NO	Chain size & Length	W.L.L (Kgs)	M.B.S. (Kgs)	Unit Weight (Kgs)
3002-1	1/4"x16'	1500	6000	14.10
3002-2	5/16"x9'	2000	8000	23.10
3002-3	3/8"x16'	3000	12000	36.20



LEVEL TENSION

ITEM NO	Size	M.B.S. ton
	mm	
3100-1	9	10
3100-2	11	15
3100-3	13	20

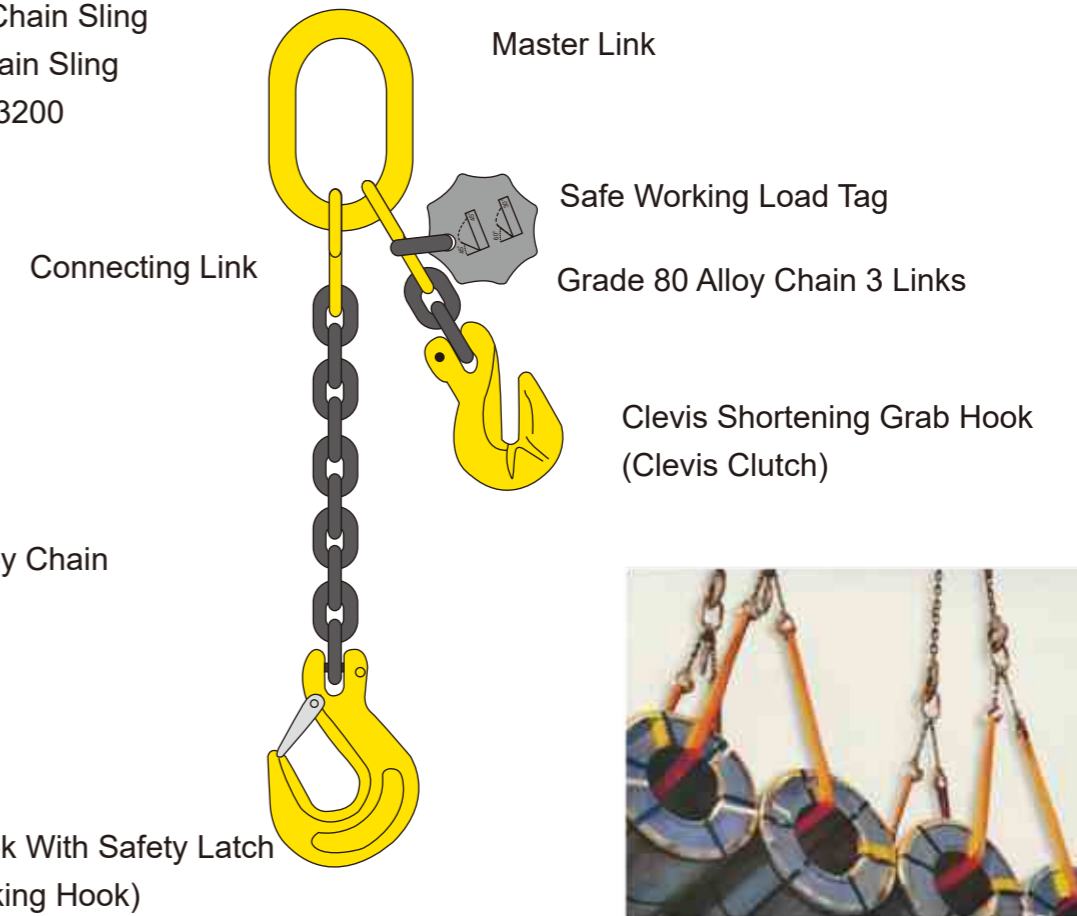


EN LOAD BINDER LASHING

ITEM NO	Chain size & Length	W.L.L (Kgs)
3003-1	6mmx3.5m	1200
3003-2	8mmx3.5m	2000
3003-3	10mmx3.5m	3200
3003-4	13mmx3.5m	5300
3003-5	16mmx3.5m	8000



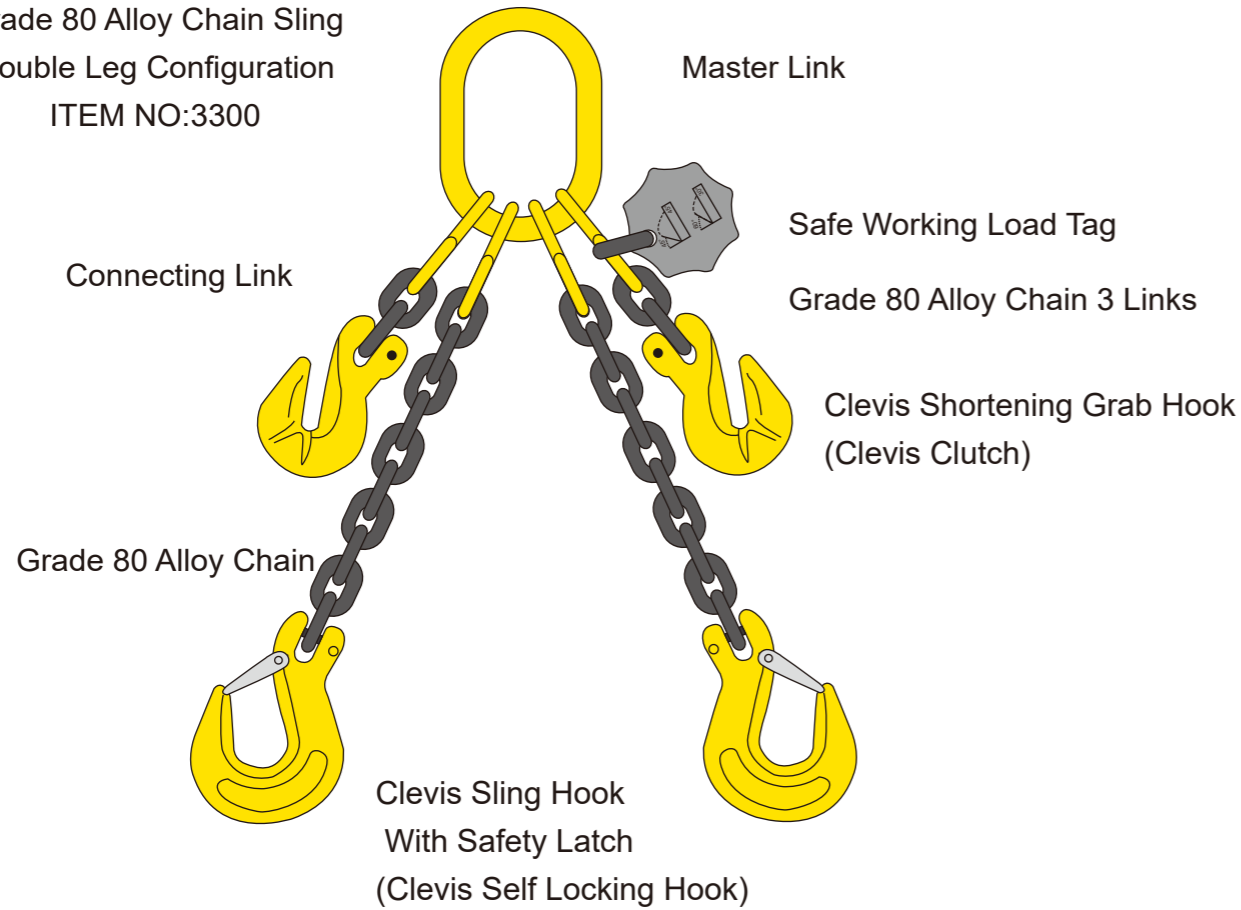
**Grade 80 Alloy Chain Sling
Single Leg Chain Sling
ITEM NO:3200**



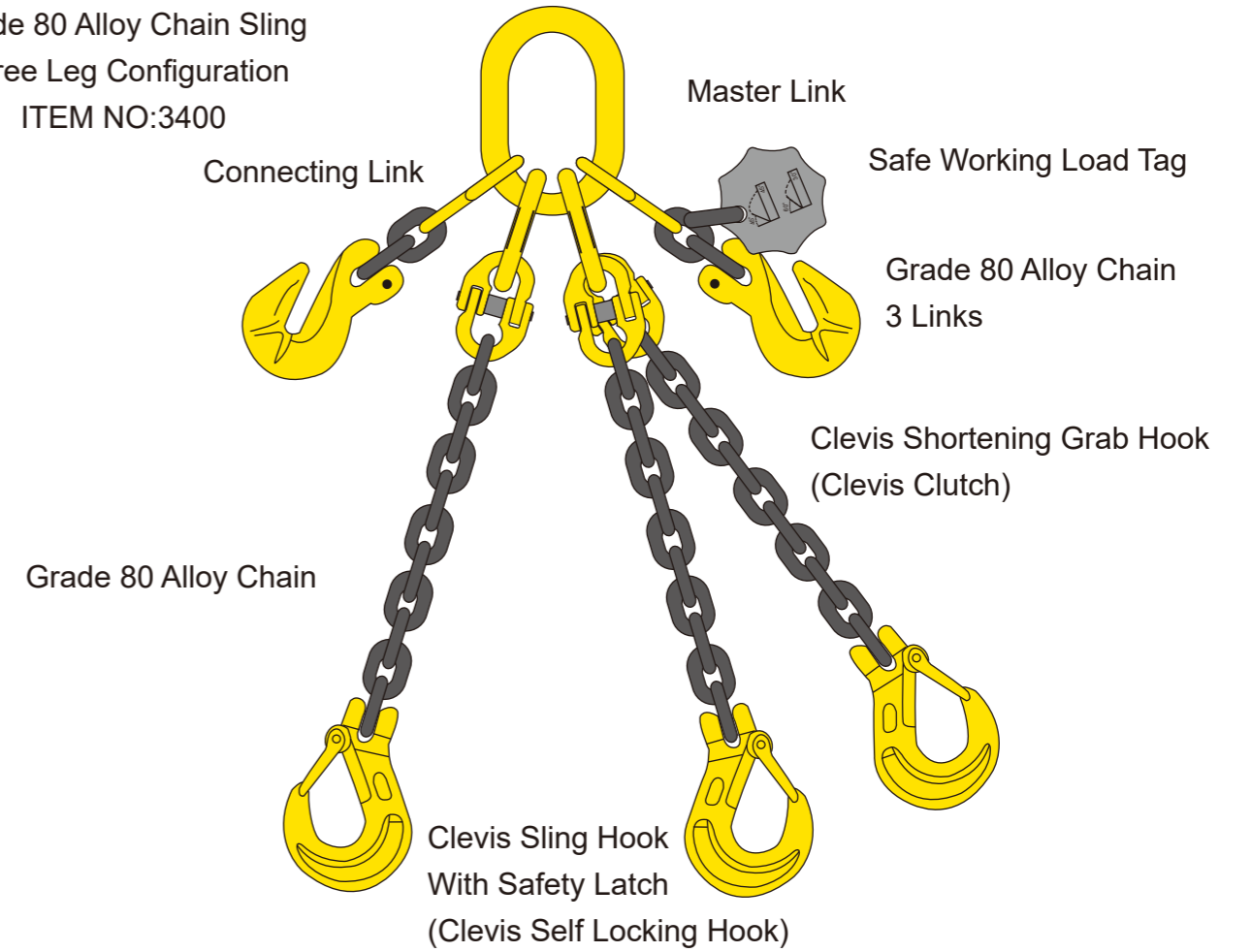
CHAIN SLING COMPONENTS-6;7;8;10;13;16mm Single leg

Component	Description	Qty per sling	Component	Description	Qty per sling
	Clevis Grab Hook	1		Grade 80 Master Link	1
	Clevis Sling Hook	1		Connecting Link	2
	Clevis Self Locking Hook	Alternative		Safe Working Load Tag Grade 80	1
	Clevis Clutch	Alternative		Grade 80 Alloy Chain	

Grade 80 Alloy Chain Sling
Double Leg Configuration
ITEM NO:3300



Grade 80 Alloy Chain Sling
Three Leg Configuration
ITEM NO:3400



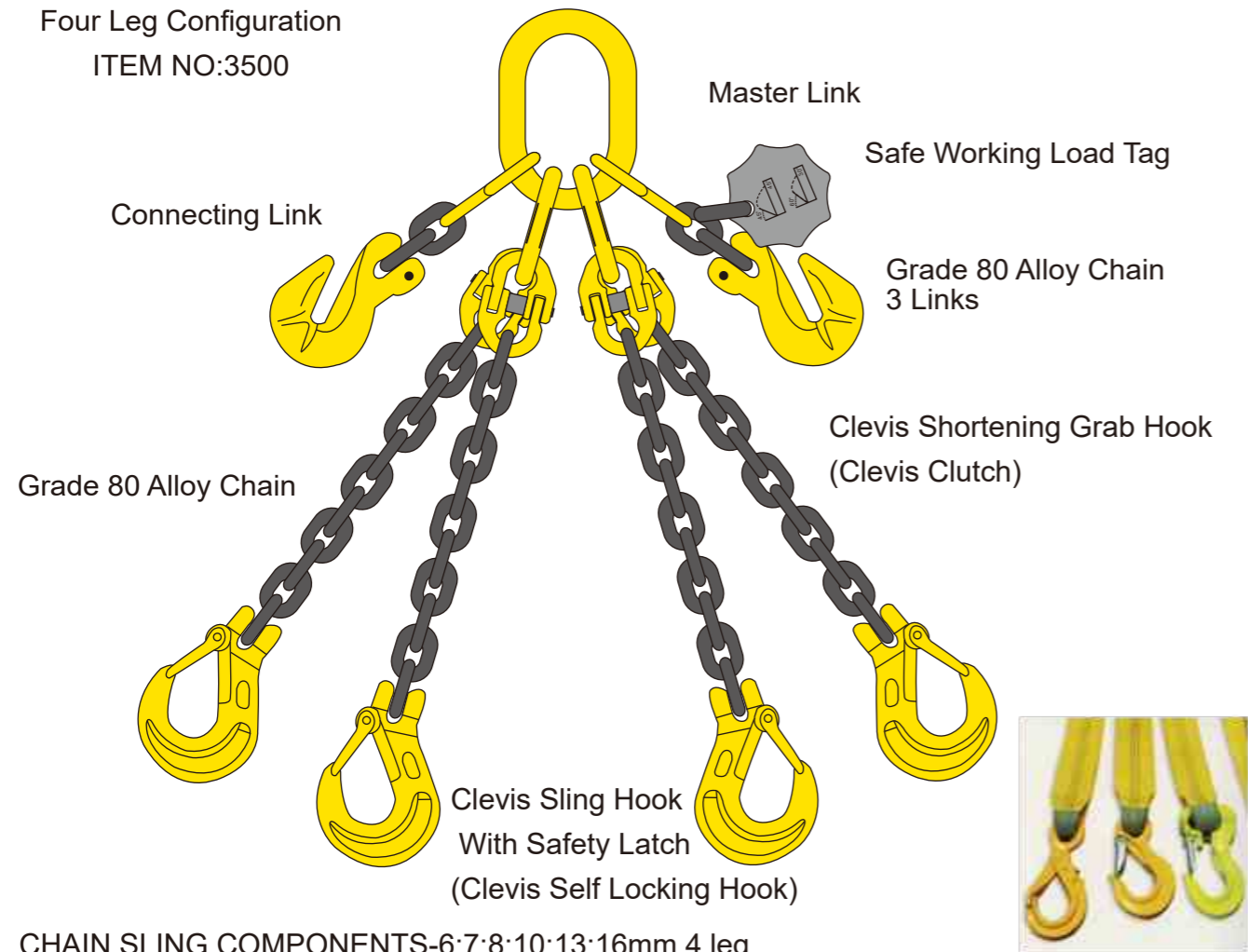
CHAIN SLING COMPONENTS-6;7;8;10;13;16mm 2 leg

Component	Description	Qty per sling	Component	Description	Qty per sling
	Clevis Grab Hook	2		Grade 80 Master Link	1
	Clevis Sling Hook	2		Connecting Link	4
	Clevis Self Locking Hook	Alternative		Safe Working Load Tag Grade 80	1
	Clevis Clutch	Alternative		Grade 80 Alloy Chain	

CHAIN SLING COMPONENTS-6;7;8;10;13;16mm Single leg

Component	Description	Qty per sling	Component	Description	Qty per sling
	Clevis Grab Hook	2		Grade 80 Master Link Assembly	1
	Clevis Sling Hook	3		Connecting Link	5
	Clevis Self Locking Hook	Alternative		Safe Working Load Tag Grade 80	1
	Clevis Clutch	Alternative		Grade 80 Alloy Chain	

Grade 80 Alloy Chain Sling
Four Leg Configuration
ITEM NO:3500

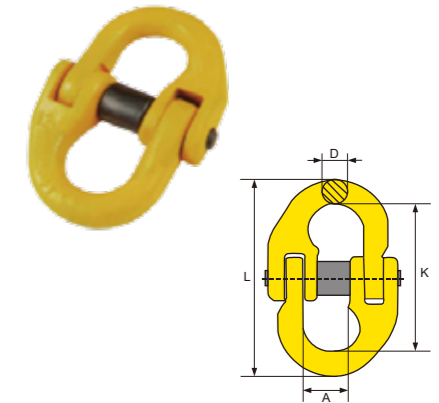


CHAIN SLING COMPONENTS-6;7;8;10;13;16mm 4 leg

Component	Description	Qty per sling	Component	Description	Qty per sling
	Clevis Grab Hook	2		Grade 80 Master Link Assembly	1
	Clevis Sling Hook	4		Connecting Link	6
	Clevis Self Locking Hook	Alternative		Safe Working Load Tag Grade 80	1
	Clevis Clutch	Alternative		Grade 80 Alloy Chain	

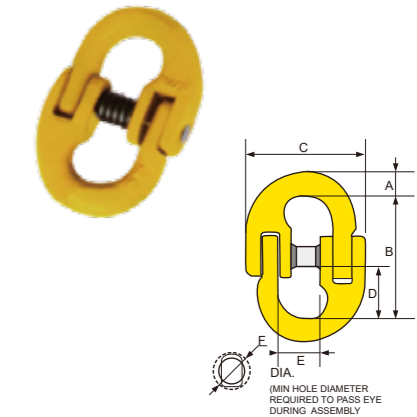
G80 CONNECTING LINK EUROPEAN TYPE

Item NO	SIZE	W.L.L.	A	L	K	D	N.W.
	mm	t	(mm)	(mm)	(mm)	(mm)	Kg
3004-1	6-8	1.12	16.2	58	42	7	0.08
3004-2	7/8-8	2	20.5	79.5	58	8.5	0.145
3004-3	10-8	3.15	28	93	68	10.8	0.30
3004-4	13-8	5.3	30	117	90	15	0.70
3004-5	16-8	8	36.3	93	148	19.8	1.10
3004-6	18/20-8	12.5	44	117	169.5	24	1.84
3004-7	22-8	15	51	148	193.5	26	3.20
3004-8	26-8	21.2	58	154	220	30	4.50
3004-9	32-8	31.5	67.5	169.5	281	37	9.00



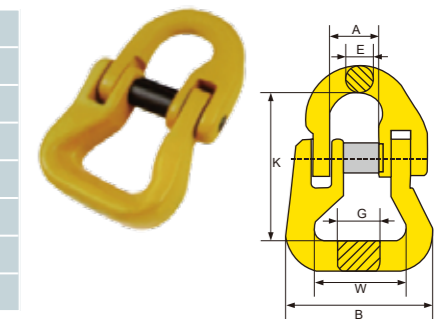
G80 CONNECTING LINK AMERICAN TYPE

Item NO	Chain Size(In.)	W.L.L. (lbs)	Dimensions(in.)						N.W. (Kg)
			A	B	C	D	E	F	
3005-1	9/32(1/4)	3500	0.36	1.88	1.75	0.78	0.66	0.56	0.28
3005-2	5/16	4500	0.39	2.13	1.97	0.88	0.69	0.63	0.33
3005-3	3/8	7100	0.52	2.50	2.50	1.03	0.88	0.75	0.73
3005-4	1/2	12000	0.64	3.44	3.22	1.44	1.31	0.94	1.67
3005-5	5/8	18100	0.75	4.13	3.78	1.73	1.41	1.13	2.86
3005-6	3/4	28300	0.97	4.94	4.66	2.08	1.63	1.28	5
3005-7	7/8	34200	1.08	5.50	5.63	2.31	2.00	1.44	7.5
3005-8	1	47700	1.22	6.10	6.19	2.50	2.25	1.88	11.03
3005-9	1-1/4	72300	1.50	7.43	7.63	3.06	2.56	2.19	20.38



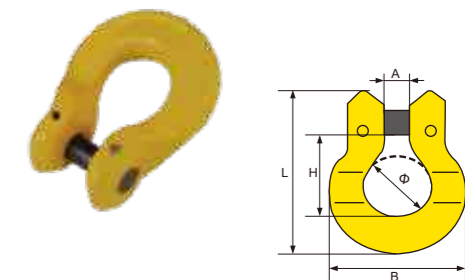
G80 WEB SLING CONNECTOR

Item NO	SIZE	W.L.L.	A	B	K	W	G	E	N.W.
	mm	(t)	(mm)	(mm)	(mm)	(mm)	(mm)	(mm)	Kg
3006-1	6-8	1.12	15	60	56	40	18	7	0.2
3006-2	7/8-8	2.0	20	61.5	63.7	40	24	9.5	0.3
3006-3	10-8	3.15	24	66	83	39	30.5	11	0.68
3006-4	13-8	5.3	28	88	93.7	55	36.8	16.5	1.47
3006-5	16-8	8	34.5	108	120	65.5	45.2	19.8	2.3
3006-6	20-8	12.5	41	129	138	80	51.8	23	3.3



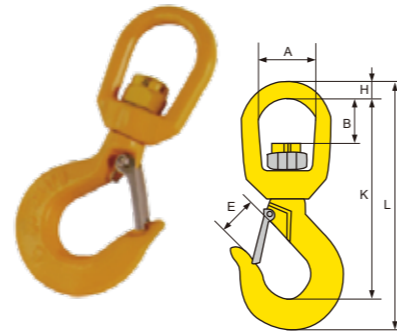
G80 OMEGA LINK

Item NO	SIZE	W.L.L.	A	B	∅	H	L	N.W.
	mm	(t)	(mm)	(mm)	(mm)	(mm)	(mm)	Kg
3007-1	6-8	1.12	8	41	20.5	25	52	0.12
3007-2	7/8-8	2.0	10	52	23.5	35	68.5	0.22
3007-3	10-8	3.15	12	62	31.5	40.5	81	0.36
3007-4	13-8	5.3	15	81	41	54	108	0.71
3007-5	16-8	8	19	99	49.5	64	126	1.3
3007-6	20-8	12.5	23	118	58	75.6	152	2.2



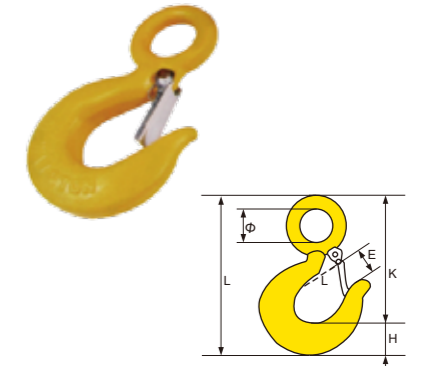
G80 SWIVEL HOOK WITH LATCH

Item NO	Size	W.L.L.	A	E	B	H	K	L	N.W.
	mm	t	(mm)	(mm)	(mm)	(mm)	(mm)	(mm)	(Kg)
3016-1	6-8	1.12	32	22	22.5	9	112	140	0.34
3016-2	7/8-8	2	44	26	35	15.8	150	190	1.02
3016-3	10-8	3.15	44	28	35	15.8	162	206	1.24
3016-4	13-8	5.3	50	35	39	18	190	242	2.25
3016-5	16-8	8	64	43	53	25	246	316	4.66
3016-6	20-8	12.5	70	55	51	28	282	369	7.4
3016-7	22-8	15	79	61	58	32	332	431	10.6
3016-8	26-8	21.2	105	81	100	40	431	547	21.4
3016-9	32-8	31.5	105	82.5	90	40	472	603	32



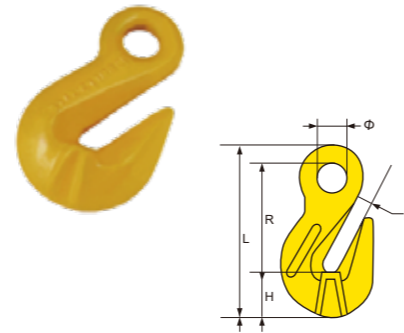
G80 EYE HOOK WITH LATCH

Item NO	SIZE	W.L.L.	∅	E	H	K	L	N.W.
	mm	t	(mm)	(mm)	(mm)	(mm)	(mm)	(Kg)
3020-1	6-8	1.12	19	22	19	80	110	0.28
3020-2	7/8-8	2.0	28	25	25	103	140.5	0.65
3020-3	10-8	3.15	31	27.5	28	118	162	0.94
3020-4	13-8	5.3	39	33	35	145	201	1.95
3020-5	16-8	8	51	40	45	180	256	3.77
3020-6	20-8	12.5	62	51	57	230	317	6.8
3020-7	22-8	15	73	57	70	260	360	9.8
3020-8	26-8	21.2	89	75	76	318	434	16.25
3020-9	32-8	31.5	90	98	91	360	495.5	27.2



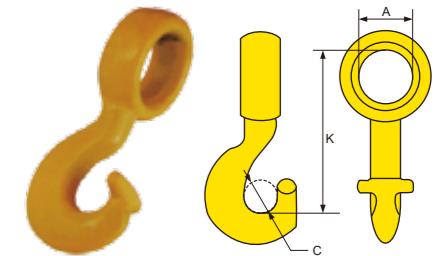
G80 EYE GRAB HOOK WITH WINGS

Item NO	Size	W.L.L.	D	∅	H	R	L	N.W.
	mm	t	(mm)	(mm)	(mm)	(mm)	(mm)	(Kg)
3017-1	6-8	1.12	8	13.5	16	51	75.2	0.14
3017-2	7/8-8	2	10.8	17	18.5	60.5	88.5	0.245
3017-3	10-8	3.15	13	20	29	79.5	121.5	0.65
3017-4	13-8	5.3	16.5	26	42.8	99.7	158	1.39
3017-5	16-8	8	19.2	30	45.7	104	169	2.2
3017-6	20-8	12.5	24	37	56	140	219	4.6
3017-7	22-8	15	28	44	68	165	259	8.2
3017-8	26-8	21.2	30	44	77	188.5	298	9.8
3017-9	32-8	31.5	38	57	95	228	361	19.4



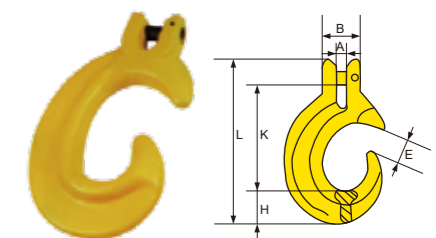
G80 EYE CHOCK HOOK

Item NO	SIZE	W.L.L.	A	K	C	N.W.
	mm	t	(mm)	(mm)	(mm)	(Kg)
3021-1	7/8-8	2	30	91	16	0.36
3021-2	10-8	3.15	38	115	20	0.73
3021-3	13-8	5.3	51	145	27	1.40
3021-4	16-8	8	63	185	31	3.17



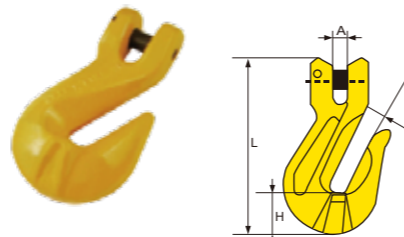
G80 CLEVIS "C" HOOK

Item NO	SIZE	W.L.L.	A	E	B	H	K	L	N.W.
	mm	t	(mm)	(mm)	(mm)	(mm)	(mm)	(mm)	(Kg)
3022-1	7/8-8	2	9.5	20	35	28	90	136	0.57
3022-2	10-8	3.15	13	29.5	46	39.5	127	189	1.4
3022-3	13-8	5.3	16.5	39.5	59	52	166.5	246	3.0
3022-4	16-8	8	18.5	46.5	72	59	206	298	5.4



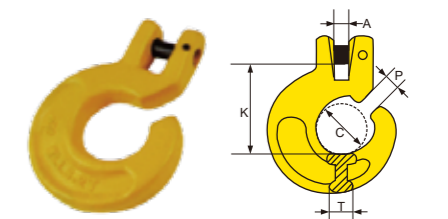
G80 CLEVIS GRAB HOOK WITH WINGS

Item NO	Size	W.L.L.	E	A	H	R	N.W.
	mm	t	(mm)	(mm)	(mm)	(mm)	(Kg)
3018-1	6-8	1.12	8	8	16	75	0.25
3018-2	7/8-8	2	10.8	9.5	21.6	90	0.32
3018-3	10-8	3.15	13.5	12.5	30	126	0.73
3018-4	13-8	5.3	16.5	15	42.5	163	1.6
3018-5	16-8	8	19.2	19.5	45.5	183.5	2.8
3018-6	20-8	12.5	24	24	56	219	5
3018-7	22-8	15	27	27	68.5	254	6.3



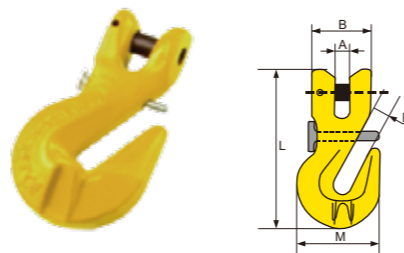
G80 CLEVIS FOREST HOOK

Item NO	SIZE	W.L.L.	A	K	P	C	T	N.W.
	mm	t	(mm)	(mm)	(mm)	(mm)	(mm)	(Kg)
3023-1	7/8-8	2	9	66	10	34	19	0.535
3023-2	10-8	3.15	13	80	12	42	21	0.89
3023-3	13-8	5.3	16	96	16	54	30	1.75



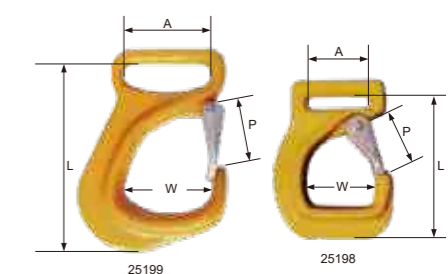
G80 CLEVIS GRAB HOOK WITH BOLT AND COTTER PIN

Item NO	Size	W.L.L.	A	B	E	M	L	N.W.
	mm	t	(mm)	(mm)	(mm)	(mm)	(mm)	(Kg)
3019-1	6-8	1.12	8	32	8	43.5	75	0.28
3019-2	7/8-8	2	9.5	35	11	49.5	89	0.33
3019-3	10-8	3.15	12.5	42.5	13.2	70.5	126.5	0.88
3019-4	13-8	5.3	15	53	16.5	90	163.5	1.85
3019-5	16-8	8	19.5	65.5	19.2	112.5	183.5	3.24



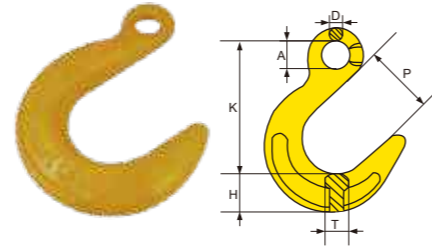
G80 EYE BELT HOOK

Item NO	W.L.L.	A	L	W	P	N.W.
	t	(mm)	(mm)	(mm)	(mm)	(Kg)
3024-1	1.6	54	150	58	30	1.20
3024-2	2.75	82	194	77	36	2.10



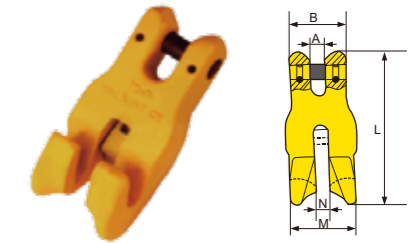
G80 FOUNDRY EYE HOOK

Item NO	Size	W.L.L.	A	D	P	K	H	T	N.W.
	mm	t	(mm)	(mm)	(mm)	(mm)	(mm)	(mm)	(Kg)
3025-1	7/8-8	2	18	12	63.5	120	31	25	1.09
3025-2	10-8	3.15	22	16	76	146	33	32	1.95
3025-3	13-8	5.3	27	19	89	175	44.5	38	3.22
3025-4	16-8	8	32	20	101	205	51.5	46	5.26
3025-5	20-8	12.5	38	25	114	235	65	56	9.07
3025-6	22-8	15	45	28.5	127	264	68.5	57	11.79



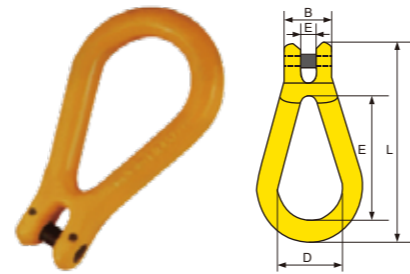
G80 CHAIN CLUTCH WITH SAFETY DEVICE

Item NO	SIZE	W.L.L.	A	M	N	B	L	N.W.
	mm	t	(mm)	(mm)	(mm)	(mm)	(mm)	(Kg)
3030-1	10-8	3.15	12	56	12	44.5	121	0.99



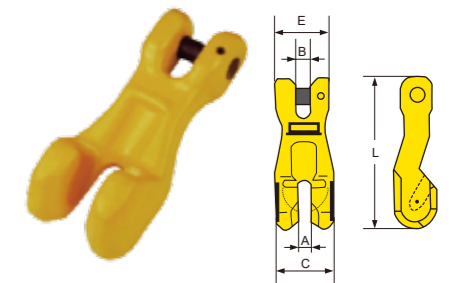
G80 CLEVIS REEVING LINK

Item NO	Size	W.L.L.	A	B	D	E	L	N.W.
	mm	t	(mm)	(mm)	(mm)	(mm)	(mm)	(Kg)
3026-1	7/8-8	2	10	32.8	45	87	139	0.53
3026-2	10-8	3.15	12	42	60	108	174	0.74
3026-3	13-8	5.3	16.5	55.5	66.5	137.5	228	1.76
3026-4	16-8	8	19	68	72	165	264	2.8



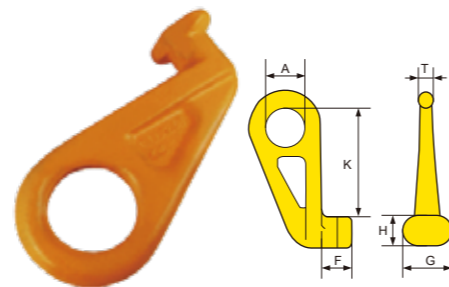
G80 SHORTENING CLUTCH

Item NO	SIZE	W.L.L.	A	B	C	E	L	N.W.
	mm	t	(mm)	(mm)	(mm)	(mm)	(mm)	(Kg)
3031-1	6-8	1.12	7.5	7.5	33	26	73.5	0.17
3031-2	7/8-8	2.0	9.5	9.5	45	36	101	0.41
3031-3	10-8	3.15	13	13	55	48	138	0.97
3031-4	13-8	5.3	18	18	75	59	177	2.01
3031-5	16-8	8	21	21	93	73	220	3.32
3031-6	20-8	12.5	22	22	99	78	238	6.2
3031-7	22-8	15	25.5	25.5	118	98	295	8.5



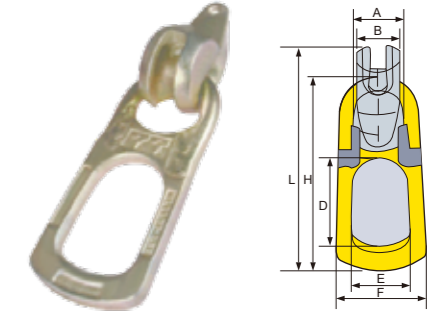
G80 EYE CONTAINER HOOK

Item NO	DSC.	W.L.L.	K	A	F	T	G	H	N.W.
	mm	t	(mm)	(mm)	(mm)	(mm)	(mm)	(mm)	(Kg)
3027-1	Left 45°	12.5	192	70	46	25	75	48	4.0
3027-2	Right 45°	12.5	192	70	46	25	75	48	4.0
3027-3	Straight	12.5	192	70	46	25	75	48	4.0



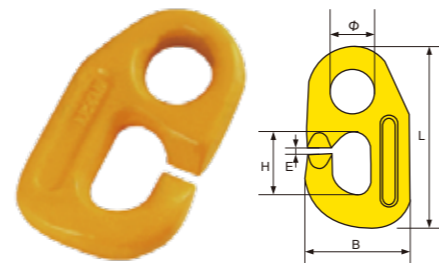
G80 LIFTING CLUTCH

Item NO	W.L.L.	A	B	D	E	F	H	L	N.W.
	t	(mm)	(mm)	(mm)	(mm)	(mm)	(mm)	(mm)	(Kg)
3032-1	1-1.3	32	42	70.5	45	73	157	181	0.89
3032-2	1.5-2.5	42	49	85	57	88	190	220	1.3
3032-3	3-5	55	70	88	69	110	233	271	3.24
3032-4	6-10	74	92	116	83	161	336.5	386	10.01
3032-5	12-20	110	114.5	133.5	107.5	182	437	497	20.37



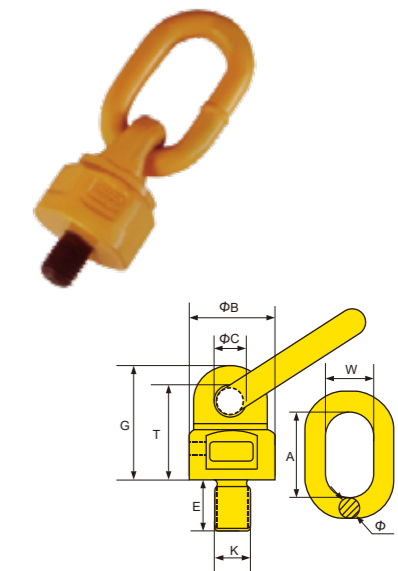
G80 FORGED "DV" HOOK

Item NO	W.L.L.	∅	B	E	H	L	N.W.
	t	(mm)	(mm)	(mm)	(mm)	(mm)	(Kg)
3028-1	1.5	28	61	3	35	102	0.5
3028-2	3	30	72	3	41	119	0.73
3028-3	5	35	84.5	3	42	137	1.2
3028-4	8	42	96	3	42	153	1.6



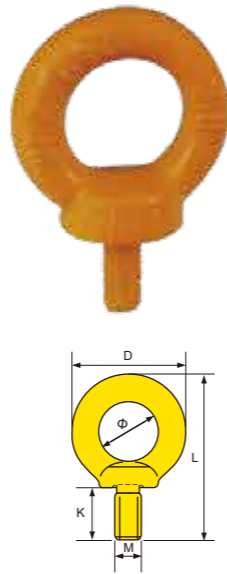
G80 LIFTING POINT THREADED

Item NO	DxE	W.L.L.9(T)	B	C	G	T	A	W	∅	N.W.	
	mm	90° 0°	(mm)	(mm)	(mm)	(mm)	(mm)	(mm)	(mm)	(Kg)	
3033-1	M8x13	0.3	0.6	36	15	51	41	55	30	13	0.41
3033-2	M10x18	0.45	0.9	36	15	51	41	55	30	13	0.43
3033-3	M12x18	0.5	1.0	36	15	51	41	55	30	13	0.44
3033-4	M16x20	1.12	2.0	36	15	52	42	55	30	13	0.46
3033-5	M20x30	2	4	49.5	19	68	56	70	35	16	0.96
3033-6	M24x30	3.15	6.3	57	22	78	65.5	85	40	18	1.45
3033-7	M27x35	3.15	6.3	57	22	78	65.5	85	40	18	1.51
3033-8	M30x35	5.3	10.6	66	23.5	96.5	80.5	85	40	20	2.17
3033-9	M30x35	8	11.8	80	28	112	92	115	50	22	3.57
3033-10	M36x50	8	11.8	80	27	109	89.5	115	50	22	3.6
3033-11	M39x90	8	11.8	80	27	109	89.5	115	50	22	4.10
3033-12	M42x50	10	15	80	27	109	89.5	115	50	22	3.73



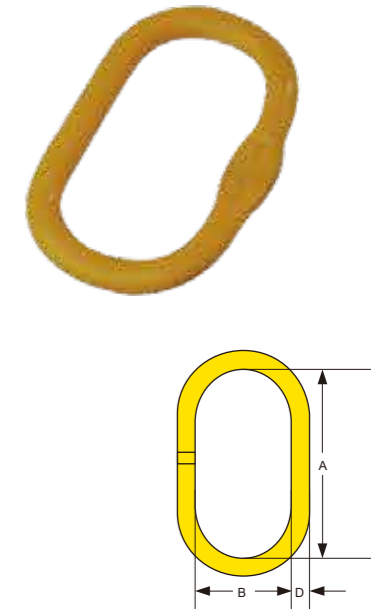
G80 EYE SCREW

Item NO	Size mm	W.L.L./(4:1)		D (mm)	K (mm)	∅ (mm)	L (mm)	N.W. (Kg)
		WLL0°	WLL90°					
3034-1	M6	0.4	0.15	28	13	16	42	0.05
3034-2	M8	1	0.4	36	15	20	51	0.06
3034-3	M10	1	0.4	45	18	25	63	0.11
3034-4	M12	2	0.75	54	22	30	75	0.18
3034-5	M16	4	1.5	63	28	35	88	0.28
3034-6	M20	6	2.3	72	30	40	101	0.45
3034-7	M24	8	3.2	90	38	50	128	0.87
3034-8	M30	12	4.5	108	45	60	154	1.66
3034-9	M36	16	7	126	55	70	183	2.65
3034-10	M42	24	9	144	65	80	212	4.03
3034-11	M48	32	12	166	70	90	238	6.38



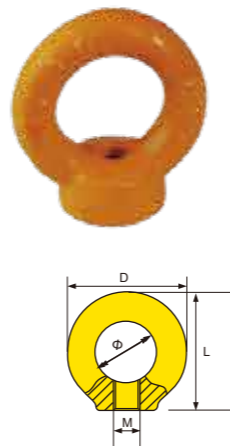
G80 A343 MASTER LINK

Item NO	Chain Dia(∅)		W.L.L. (t)	Dimensions(mm)			N.W. (Kg)
	⊥	∧		A	B	D	
3037-1	7	6	1.6	110	60	14	0.34
3037-2	8	7	2.12	110	60	16	0.53
3037-3	10	8	3.15	135	75	18	0.823
3037-4	13	10	5.3	160	90	22	1.5
3037-5	16	13	8	180	100	26	2.32
3037-6	18	16	11.2	200	110	32	3.95
3037-7	20	18	14	260	140	36	6.34
3037-8	22	20	17	300	160	40	8.96
3037-9	26	22	21.2	340	180	45	12.8
3037-10	32	26	31.5	350	190	50	16.55
3037-11	36	32	45	400	200	56	23.28
3037-12	40	36	56	430	220	63	32



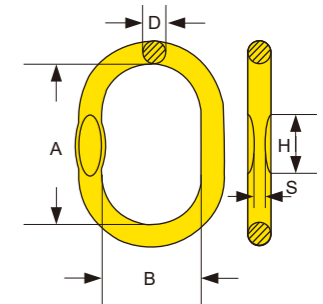
G80 EYE NUT

Item NO	Size mm	W.L.L./(4:1)		D (mm)	∅ (mm)	L (mm)	N.W. (Kg)
		WLL0°	WLL90°				
3035-1	M6	0.4	0.15	36	20	36	0.049
3035-2	M8	1	0.4	36	20	36	0.05
3035-3	M10	1	0.4	45	25	45	0.09
3035-4	M12	2	0.75	54	30	53	0.16
3035-5	M16	4	1.5	63	35	62	0.24
3035-6	M20	6	2.3	72	40	71	0.36
3035-7	M24	8	3.2	90	50	90	0.72
3035-8	M30	12	4.5	108	60	109	1.32
3035-9	M36	16	7	126	70	128	2.08
3035-10	M42	24	9	144	80	147	3.11
3035-11	M48	32	12	166	90	168	5.02



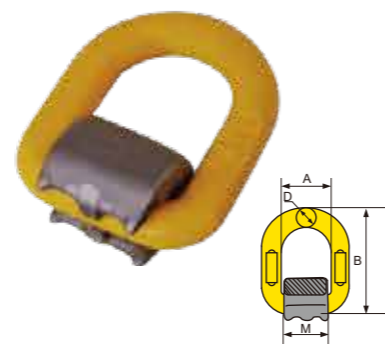
G80 MASTER LINK WITH FLAT(WELDED)

Item NO	CODE	W.L.L. (t)	Dimension(mm)					N.W. (Kg)
			A	B	D	S	H	
3038-1	13B5	2.6	95	51	13	7	50	0.3
3038-2	13B6	2.4	115	60	13	7	50	0.35
3038-3	16B6	3.8	120	70	16	9	70	0.6
3038-4	16B7	2.8	190	100	16	9	70	0.86
3038-5	20B6	6.4	150	80	20	11	50	1.1
3038-6	20B7	5.8	170	90	20	11	70	1.25
3038-7	22B6	7.6	170	90	22	12	70	1.53
3038-8	22B7	6.4	210	110	22	12	70	1.83
3038-9	25B6	10	190	100	25	13	80	2.21
3038-10	28B6	12.7	210	110	28	15	80	3.06
3038-11	28B7	10.5	270	140	28	15	70	3.81
3038-12	32B6	15.2	270	140	32	17	70	5.05
3038-13	38B6	25.1	270	140	38	20	55	7.3
3038-14	38B7	17	420	220	38	20	55	10.78
3038-15	45B6	34	320	170	45	24	60	12.2
3038-16	45B7	24.5	470	250	45	24	60	17.06
3038-17	50B6	40	380	200	50	-	-	17.65
3038-18	60B6	58	430	220	60	-	-	28.85
3038-19	70B6	84	500	250	70	-	-	45.48



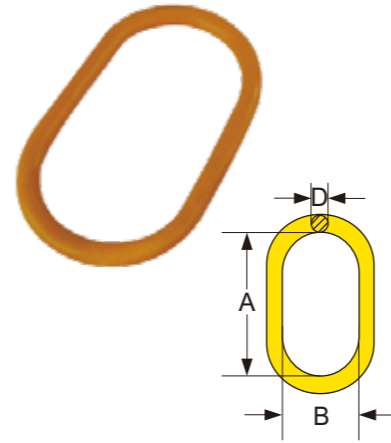
G80 WELD-ON LIFTING POINT WITH SPRING

Item NO	W.L.L. t	A (mm)	B (mm)	D (mm)	M (mm)	N.W. (Kg)
3036-2	2	42	88	14	40	0.47
3036-3	3.15	45	94	17	42.5	0.69
3036-4	5.3	55	118	22	50	1.46
3036-5	8	70	141	26.5	66.5	2.5
3036-6	15	97	188	34	90	5.79



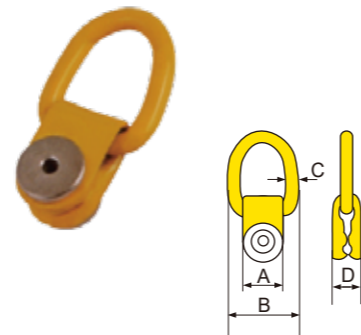
G80 FORGED MASTER LINK

Item NO	CODE	W.L.L. (t)	Dimension(mm)			N.W. (Kg)
			A	B	D	
3039-1	16B7	3.2	190	100	16	0.86
3039-2	Y025	6.4	300	210	25	3.53
3039-3	22B7	7	210	110	22	1.83
3039-4	Y032	11	300	210	32	5.94
3039-5	28B7	11.5	270	140	28	3.8
3039-6	28B6	14.2	210	110	28	3.06
3039-7	32B6	17	270	140	32	5.05
3039-8	38B7	19	420	220	38	10.78
3039-9	38B6	28	270	140	38	7.29
3039-10	45B7	27	470	250	45	17.06
3039-11	50B6	45	380	200	50	17.65
3039-12	60B6	65	430	220	60	18.85



G80 SCREW-ON LIFTING POINT

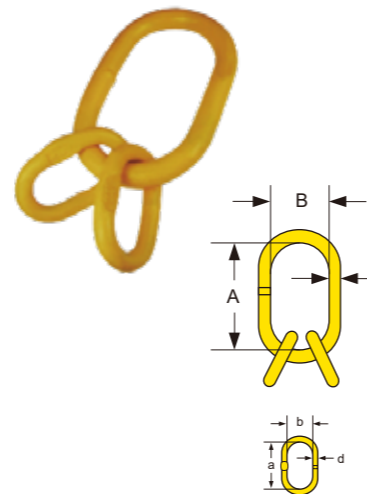
Item NO	CODE	W.L.L. (t)	Dimension(mm)			
			A	B	C	D
3040-1	M8	0.3	38	65	14	26
3040-2	M10	0.5	38	65	14	26
3040-3	M12	0.75	38	65	14	26
3040-4	M16	1	38	85	14	26
3040-5	M20	2	42	85	16	30
3040-6	M24	3	46	85	16	32
3040-7	M30	5	62	114	22	42



- Design Factor of 4 to 1 for chain and 5 to 1 for wire rope.
- Alloy Steel-Quenched and Tempered.
- Individually Proof Tested.

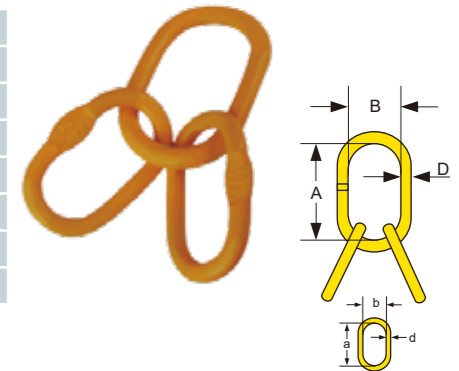
G80 A346 WELDED MASTER LINK ASSEMBLY

Item NO	SIZE (mm)	W.L.L. (t)	B (mm)	D (mm)	A (mm)	b (mm)	d (mm)	a (mm)	N.W. (Kg)
3041-2	7	3.15	75	18	135	38	13	60	1.24
3041-3	8	4.25	90	22	160	34	16	70	2.2
3041-4	10	6.70	100	26	180	40	18	85	3.4
3041-5	13	11.20	110	32	200	50	22	115	6.1
3041-6	16	17	140	36	260	65	26	140	9.98
3041-7	18	21.2	180	45	340	100	32	180	18.9
3041-8	20	26.5	190	50	350	100	32	180	22.6
3041-9	22	31.5	190	50	350	100	36	180	25.2
3041-10	26	45	200	56	400	110	40	200	34.26
3041-11	28	50	220	63	430	110	45	200	47.11
3041-12	32	63	250	72	460	110	50	200	66.46



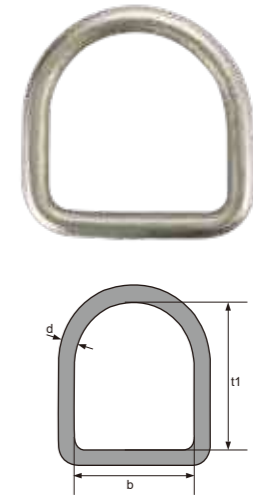
G80 A347 WELDED MASTER LINK ASSEMBLY

Item NO	SIZE (mm)	W.L.L.(t)		D (mm)	B (mm)	A (mm)	d (mm)	a (mm)	b (mm)	N.W. (Kg)
		4:1	5:1							
3042-1	14	2.4	2	14	60	100	12	85	40	0.82
3042-2	17	3.2	2.5	18	90	160	14	100	60	1.61
3042-3	20	5	4	20	90	160	14	100	60	1.95
3042-4	22	8	6.4	22	100	180	18	150	70	3.16
3042-5	28	12	9.6	28	140	270	22	160	90	6.75
3042-6	32	17.4	13.9	32	140	270	25	180	100	9.31



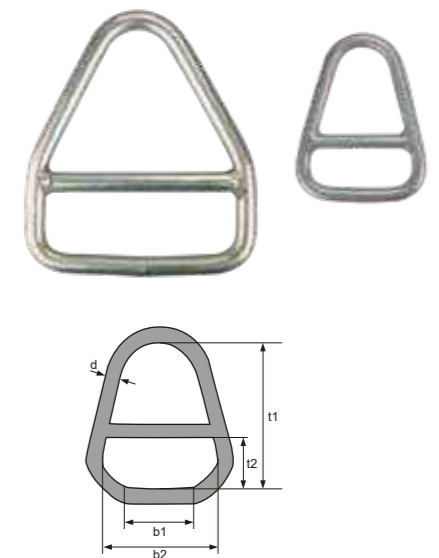
MALE LINKS TYPE D 1

Item NO	TRAGFKT.-	BAND	b	t1	d
	W.L.L.in kg	in mm	in mm	in mm	in mm
3043-1	1.000	30	35	100	13
3043-2	2.000	60	75	130	16
3043-3	3.000	90	105	140	18
3043-4	4.000	120	130	130	22
3043-5	5.000	150	170	170	26
3043-6	3.000	180	220	220	26
3043-7	8.000	240	235	235	26
3043-8	10.000	300	300	290	40
3043-9	20.000	300	300	278	40



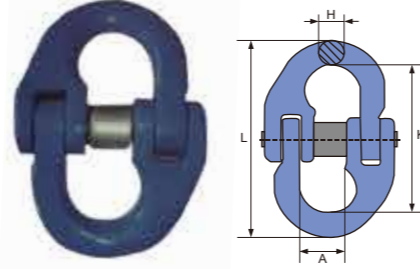
FEMALE LINKS TYPE D 2

Item NO	TRAGFKT.-	BAND	b	t1	d
	W.L.L.in kg	in mm	in mm	in mm	in mm
3044-1	1.000	30	35	145	13
3044-2	2.000	60	75	165	16
3044-3	3.000	90	105	190	18
3044-4	4.000	120	130	240	22
3044-5	5.000	150	170	300	26
3044-6	3.000	180	220	315	26
3044-7	8.000	240	235	365	26
3044-8	10.000	300	300	435	40
3044-9	20.000	300	300	428	40



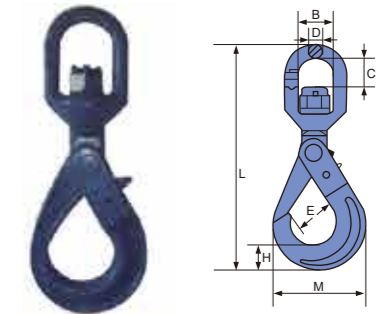
G100 CONNECTING LINK

Item NO	SIZE (mm)	W.L.L. (tons)	Dimension(mm)				N.W. (Kg)
			H	A	K	L	
3045-1	6-10	1.4	7.6	14	44.5	60	0.1
3045-2	8-10	2.5	10	18.5	61.5	84.5	0.22
3045-3	10-10	4	12.6	23	72	97.2	0.45
3045-4	13-10	6.7	16.8	27.5	89	127	1.15
3045-5	16-10	10	21	33.5	103	145	1.75
3045-6	20-10	16	24.5	42	116	175	2.7
3045-7	22-10	19	27	48	135	193	4.02
3045-8	26-10	26.5	32	61	164	228	5.1
3045-9	32-10	39.3	40	80	194	274	8.5



G100 CLEVIS SELF-LOCK HOOK

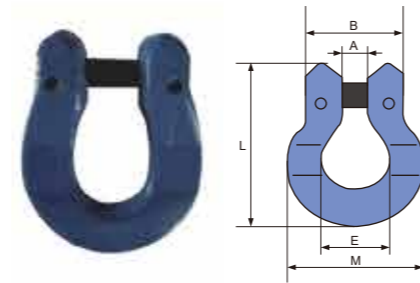
Item NO	SIZE (mm)	W.L.L. (tons)	Dimension(mm)							N.W. (Kg)
			B	C	D	E	H	M	L	
3049-1	6-10	1.4	32.5	32	11.5	28	20	70	184	0.6
3049-2	8-10	2.5	36	28	13	35.5	26	90	229	1.1
3049-3	10-10	4	42	35	15.5	45	30	109	269	2
3049-4	13-10	6.7	50	40	17	53.5	40.5	138.5	330	4
3049-5	16-10	10	61	56	21.5	62	50.5	170.5	413	6.8
3049-6	20-10	16	72	62	26	76.5	62	192.5	463	12.5
3049-7	22-10	19	97	94	33	80	66	205	572	17.1



Positive lock latch is selflocking when hook is loaded.

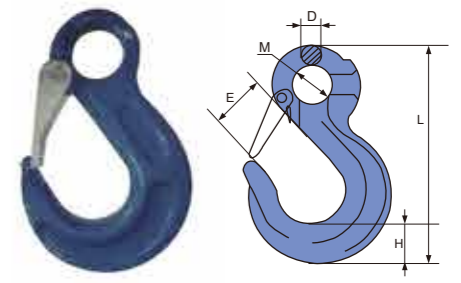
G100 OMEGA LINK

Item NO	SIZE (mm)	W.L.L. (tons)	Dimension(mm)					N.W. (Kg)
			A	B	E	M	L	
3046-1	6-10	1.4	8.5	32.5	20	44	55	0.12
3046-2	8-10	2.5	10.5	42	24	60	73.5	0.27
3046-3	10-10	4	1.5	48.5	31	70	90	0.44
3046-4	13-10	6.7	16	60	38.5	90	109	0.89
3046-5	16-10	10	19	75.5	51	112	141.5	1.69



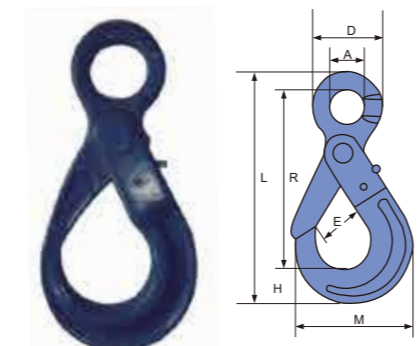
G100 EYE SLING HOOK WITH CAST LATCH

Item NO	SIZE (mm)	W.L.L. (tons)	Dimension(mm)					N.W. (Kg)
			D	E	H	M	L	
3050-1	6-10	1.4	10	18.5	21	20.5	111	0.32
3050-2	8-10	2.5	11	25	27.5	25	137.5	0.6
3050-3	10-10	4	16	28	33	34	171.5	1.2
3050-4	13-10	6.7	19	38	43.5	43	218	2.2
3050-5	16-10	10	24.5	44	50	50	260	3.5
3050-6	20-10	16	27	52	56	55	298	7.15
3050-7	22-10	19	29	66	62	60	330	11.5
3050-8	26-10	25.5	35	73	75	70	376	12.2
3050-9	32-10	39.3	39	87	89	81.5	458	17.5



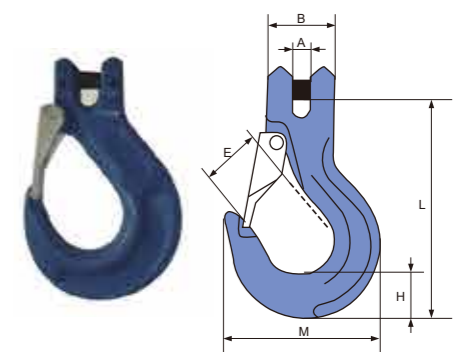
G100 EYE SELF-LOCK HOOK

Item NO	SIZE (mm)	W.L.L. (tons)	Dimension(mm)							N.W. (Kg)
			A	D	E	H	R	M	L	
3047-1	6-10	1.4	21	43	28	20	110	70	141	0.5
3047-2	8-10	2.5	27	51	35.5	26	137	90	175	0.9
3047-3	10-10	4	34.5	64.5	45	30	169	108	212.5	1.5
3047-4	13-10	6.7	40	80	53.5	40.5	209	138.5	270	2.7
3047-5	16-10	10	50	104	62	50.5	254	170.5	331	5.7
3047-6	20-10	16	60	120	76.5	62	277	192.5	369	7.9
3047-7	22-10	19	70	134	80	66	319.5	205	417	11.2



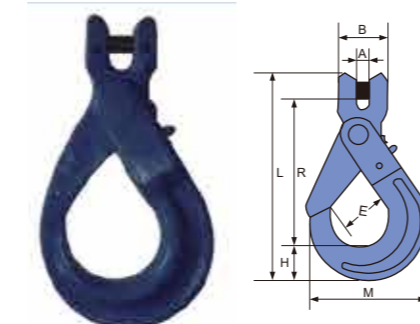
G100 EYE SLING HOOK WITH CAST LATCH

Item NO	SIZE (mm)	W.L.L. (tons)	Dimension(mm)						N.W. (Kg)
			A	B	E	H	M	L	
3051-1	6-10	1.4	7.5	32	18.5	21	68.5	109	0.33
3051-2	8-10	2.5	9.5	37	25	27.5	88	134	0.7
3051-3	10-10	4	12	48	28	33.5	105.5	161.5	1.3
3051-4	13-10	6.7	15	59	38	42	135	203	2.3
3051-5	16-10	10	17.5	70	44	50	160.5	248	3.6
3051-6	20-10	16	25	85	52	56	190.5	297	7.3
3051-7	22-10	19	27	100	66	62	214.5	326	12.2



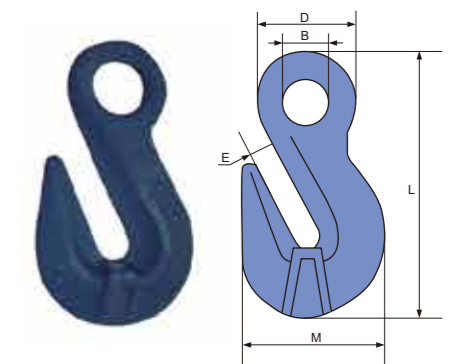
G100 CLEVIS SELF-LOCK HOOK

Item NO	SIZE (mm)	W.L.L. (tons)	Dimension(mm)							N.W. (Kg)
			A	B	E	H	R	M	L	
3048-1	6-10	1.4	7.5	32	28	20	96	70	131	0.5
3048-2	8-10	2.5	9.5	36	35.5	26	123	90	166	0.9
3048-3	10-10	4	12	46	45	30	144	109	196.5	1.6
3048-4	13-10	6.7	15	59	53.5	40.5	185	138.5	251	2.9
3048-5	16-10	10	17.5	70	62	50.5	217	170.5	303	5.8
3048-6	20-10	16	25	85	76.5	62	235	192.5	337.5	8.6
3048-7	22-10	19	25.5	98	80	66	276.5	205	391	12.1



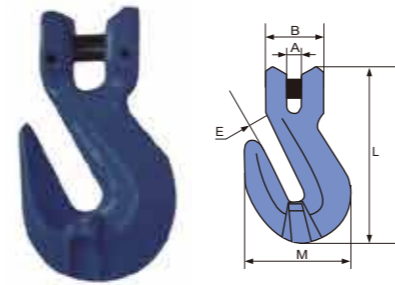
G100 EYE SHORTENING GRAB HOOK

Item NO	SIZE (mm)	W.L.L. (tons)	Dimension(mm)					N.W. (Kg)
			E	B	D	M	L	
3052-1	6-10	1.4	8	14.5	30.5	43.5	71	0.2
3052-2	8-10	2.5	10.8	18	37	53	91.5	0.28
3052-3	10-10	4	13.5	22.5	48.5	72	127.5	0.72
3052-4	13-10	6.7	16.5	28	59	96	163	1.6
3052-5	16-10	10	19.2	36	74	112.5	183	2.45
3052-6	20-10	16	24	43.5	89.5	143	227	4.72
3052-7	22-10	19	27	48.5	100.5	160.5	260.5	8.2



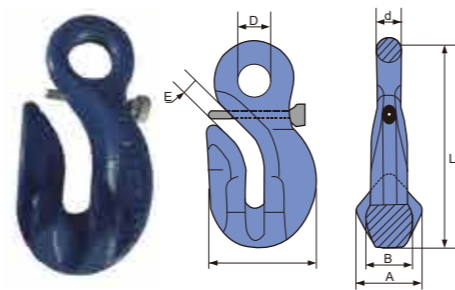
G100 CLEVIS SHORTENING GRAB HOOK

Item NO	SIZE	W.L.L. (tons)	Dimension(mm)					N.W. (Kg)
	(mm)		A	B	E	M	L	
3053-1	6-10	1.4	7.5	32	8	43.5	75	0.22
3053-2	8-10	2.5	9.5	36	10.8	53	91.5	0.34
3053-3	10-10	4	12	46	13.5	72	126	0.82
3053-4	13-10	6.7	15	59	16.5	96	163.5	1.75
3053-5	16-10	10	17.5	70	19.2	112.5	183.5	2.88
3053-6	20-10	16	24	85	24	143	224	4.84
3053-7	22-10	19	27	100	27	160.5	262	8.3



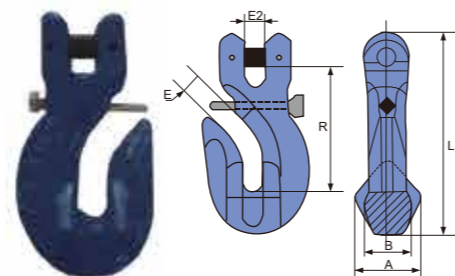
G100 SPECIAL EYE GRAB HOOK WITH SAFETY PIN

Item NO	SIZE	W.L.L. (tons)	Dimension(mm)						N.W. (Kg)
	(mm)		A	B	d	D	E	L	
3054-1	8-10	2.5	35	25	12	16.5	10.5	110	0.5
3054-2	10-10	4	64	32	15	21	14	136.5	1.0
3054-3	13-10	6.7	57	40	20.5	27.5	15.5	180	2.2



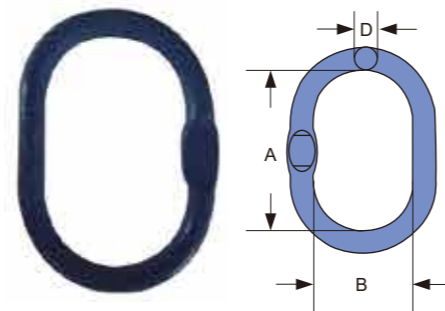
G100 SPECIAL CLEVIS GRAB HOOK WITH SAFETY PIN

Item NO	SIZE	W.L.L. (tons)	Dimension(mm)						N.W. (Kg)
	(mm)		A	B	R	E2	E	L	
3055-1	8-10	2.5	35	25	66	10.5	10.5	108	0.62
3055-2	10-10	4	44	32	82	12	13	134	1.16
3055-3	13-10	6.7	57	40	107	15	15.5	175	2.6



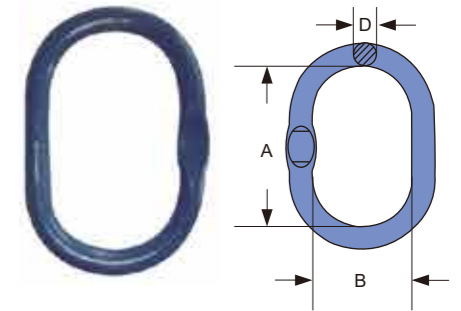
G100 FORGED MASTER LINK

Item NO	SIZE (mm)	W.L.L. (tons)	G100 CHAIN(mm)		Dimension(mm)			N.W. (Kg)
			1 LEG SLING	2 LEG SLING	A	B	D	
3056-1	13-10	2.3	6/7	6	110	60	13	0.34
3056-2	16-10	3.5	8	7	110	60	16	0.53
3056-3	18-10	5	10	8	135	75	18	0.86
3056-4	23-10	7.6	13	10	160	90	23	1.6
3056-5	27-10	10	16	13	180	100	27	2.46
3056-6	33-10	14	19	16	200	110	33	4.14
3056-7	36-10	25.1	22	19	260	140	36	6.22
3056-8	45-10	30.8	26	22	340	180	45	12.85
3056-9	50-10	40	32	26	350	190	50	16.22



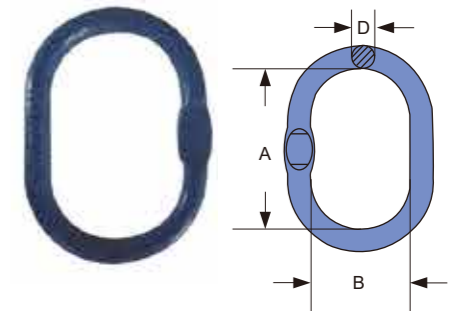
G100 FORGED MASTER LINK

Item NO	SIZE (mm)	W.L.L. (tons)	G100 CHAIN(mm)		Dimension(mm)			N.W. (Kg)
			1 LEG SLING	2 LEG SLING	A	B	D	
3057-1	86-10	2.5	6/8	6	120	70	14	0.4
3057-2	108-10	4	10	8	140	80	17	0.8
3057-3	1310-10	7.5	13	10	160	95	22	1.5
3057-4	1613-10	10	16	13	190	110	28	2.5
3057-5	2016-10	17	19/20	16	240	140	34	5.2
3057-6	2220-10	28	22/26	20/22	250	150	42	7.7



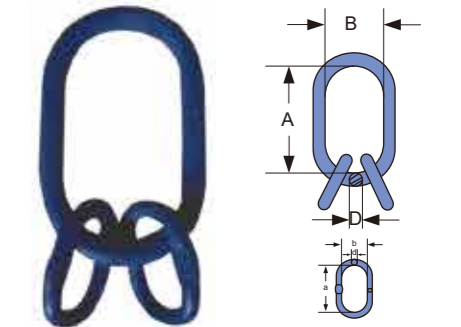
G100 FORGED OVERSIZED MASTER LINK

Item NO	SIZE (mm)	W.L.L. (tons)	G100 CHAIN(mm)		Dimension(mm)			N.W. (Kg)
			1 LEG SLING	2 LEG SLING	A	B	D	
3058-1	108-10	4	8/10	8	340	180	25	3.7
3058-2	1310-10	6.7	13	10	340	180	28	4.7
3058-3	1613-10	10	16	13	340	180	34	7.1
3058-4	2016-10	16	20	16	340	180	42	8.9



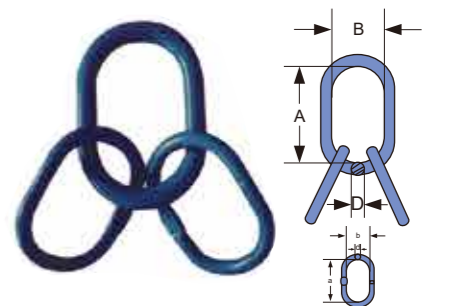
G100 FORGED OVERSIZED MASTER LINK

Item NO	SIZE (mm)	W.L.L. (tons)	G100 CHAIN(mm) FOR 3/4 LEGS SLING	Dimension(mm)						N.W. (Kg)
				A	B	D	a	b	d	
3059-1	6-10	3	6	135	75	19	54	25	13	1.3
3059-2	8-10	5.3	8	160	90	23	70	35	16.5	2.33
3059-3	10-10	8	10	180	100	27	85	40	19	3.7
3059-4	13-10	14	13	200	110	33	115	50	23	6.5
3059-5	16-10	21.2	16	260	140	36	140	65	27	10.1
3059-6	20-10	33.6	19/20	350	190	50	150	70	33	22.8
3059-7	22-10	39.9	22	350	190	50	180	100	36	26

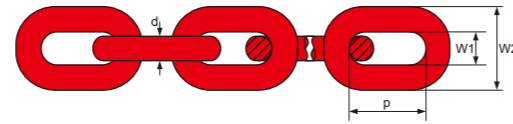


G100 MASTER LINK ASSEMBLY

Item NO	SIZE (mm)	W.L.L. (tons)	Dimension(mm)						N.W. (Kg)
			A	B	D	a	b	d	
3060-1	6-10	3.5	150	90	19	120	70	14	1.8
3060-2	8-10	5	160	95	22	140	80	17	3.0
3060-3	10-10	11.5	200	120	30	160	95	22	6.5
3060-4	13-10	17	250	150	40	200	120	30	15
3060-5	16-10	28	300	200	50	200	120	32	23



G80 LIFTING CHAIN (EN818-2)



Item NO	Chain size	d (mm)	p (mm)	W1 min.(mm)	W2 max.(mm)	Proof load (KN)	Breaking load Min.(KN)	Weight (kg/m)
4000-1	6x18	6±0.4	18±0.5	8+0.5	22.2	28.3	45.2	0.8
4000-2	7x21	7±0.5	21±0.6	10+0.6	25.9	38.5	61.6	1.1
4000-3	8x24	8±0.7	24±0.7	11+0.7	29.6	50.3	80.4	1.4
4000-4	10x30	10±0.8	30±0.9	14+0.8	37.0	78.5	126.0	2.2
4000-5	13x39	13±0.52	39±1.2	18+0.9	48.1	133.0	212.0	3.7
4000-6	16x48	16±0.64	48±1.4	21+0.1	59.2	201.0	322.0	5.7
4000-7	18x54	18±0.9	54±1.6	27+0.1	66.2	254.0	407.0	7.1
4000-8	20x60	20±1.0	60±1.8	29+0.1	74.0	314.0	503.0	8.9
4000-9	22x66	22±1.1	66±2.0	32+0.1	81.4	380.0	608.0	10.7

- Elongation at manufacturer ≥ 20%
- Manufacturer test certificate & document available
- Structural alloy steel with high percentage.
- The heat treatment process ensures minimum scatter band variances of chain characteristics over a large number of production lots.



Identification of the hightensile chain with manufacturer's identification number. Stamping every mtr.



Heat-treatment



The High-dynamic round steel chains are stamped with the serial number, all manufacturing and proof data of the chain are also recorded Marking once per running mtr.

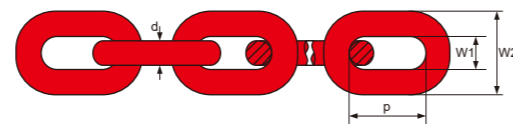


Size and grade can be marked as required.

Automatic Welding



G80 CALIBRATED LOAD CHAIN (EN818-7)



Item NO	Chain size	d (mm)	p (mm)	W1 min.(mm)	W2 Max.(mm)	Proof load (KN)	Breaking load (KN)	Weight (kg/m)
4001-1	4x12	4 ^{+0.08} / _{-0.24}	12+0.23	5	13+0.30	12	20.2	0.35
4001-2	5x15	5 ^{+0.10} / _{-0.30}	15+0.29	6.3	17+0.38	19	31.6	0.56
4001-3	6x18	6 ^{+0.12} / _{-0.36}	18+0.35	7.50	21+0.45	27	45.4	0.8
4001-4	7x21	7 ^{+0.14} / _{-0.42}	21+0.40	8.87	23+0.54	37	61.6	1.1
4001-5	8x24	8 ^{+0.16} / _{-0.43}	24+0.46	10.00	26+0.60	48	80.6	1.42
4001-6	9x27	9 ^{+0.18} / _{-0.54}	27+0.52	11.25	30+0.68	61	102.0	1.8
4001-7	10x30	10 ^{+0.20} / _{-0.60}	30+0.58	12.50	33+0.75	76	126	2.2

The gauge is used for measuring the pitch length of minimum 5 links chain.



Pitch length is suitable for gauge



Pitch length is too short which is failed

G80 LIFTING CHAIN



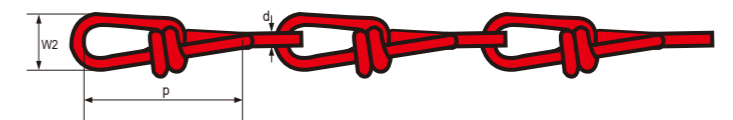
Item NO	Chain size	d (mm)	p (mm)	W1 min.(mm)	W2 max.(mm)	Proof load (KN)	Breaking load Min.(KN)	Weight (kg/m)
4002-1	6x35	6	35	10	22	22	44	0.64
4002-2	9x53	9	53	15	33	49	98	1.42
4002-3	11x64	11	64	18	40	77	153	2.18
4002-4	13x80	13	80	22	51	106	212	3.01
4002-5	16x100	16	100	26	66	161	322	4.5
4002-6	19x110	19	110	30	68	227	454	6.6
4002-7	22x125	22	125	38	84	304	608	8.7

G30 HAND CHAIN FOR CHAIN HOIST AND GEARED TROLLEY



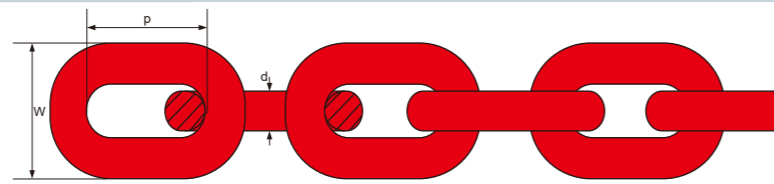
Item NO	Chain size	LINK DIMENSION			Weight (kg/m)
		D(mm)	P(mm)	W1(mm)	
4003-1	5	5	23.7	8	0.46
4003-2	5	5	25	7	0.45

DIN5686 KNOTTED CHAIN



Item NO	DIAMETER	INSIDE LENGTH	OUTSIDE WIDTH	BREAKING LOAD	WEIGHT PER 100M
	(d)mm	(p)mm	(W2)mm	KG	KG
4004-1	1.4	20.0	6.5	16	4.2
4004-2	1.6	23.0	7.0	22	6.0
4004-3	1.8	26.5	8.0	30	7.3
4004-4	2.0	28.0	9.0	40	9.0
4004-5	2.2	31.0	10.0	50	11.0
4004-6	2.5	35.0	11.0	70	14.0
4004-7	2.8	39.0	12.5	90	17.0
4004-8	3.1	41.0	14.0	120	21.0
4004-9	3.4	44.0	15.5	140	26.0
4004-10	3.8	46.0	17.0	160	34.0
4004-11	4.2	52.0	19.0	170	41.0
4004-12	4.6	58.0	20.5	180	50.0
4004-13	5.0	60.0	22.5	190	57.0

G30 AUSTRALIAN STANDARD LINK CHAIN



1. SHORT LINK CHAIN

ITEM NO	CHAIN	WORKING	LINK DIMENSION			LINKS	LENGTH PER 100KG	
	SIZE	LOAD	D	P	W	EACH MTR	Self Color	H.D.G.
4005-1	MM	MT	MM	MM	MM	PC	M	M
4005-2	6	0.32	6.3	18.9	21.5	52.9	114	108
4005-3	8	0.53	8.8	24.0	27.5	41.7	70.5	67.0
4005-4	10	0.83	10.0	29.5	33.5	33.9	45.2	42.9
4005-5	12	1.50	12.5	37.5	40.6	26.7	29.5	28
4005-6	16	2.31	16	47.0	54.0	21.3	17.6	16.7

2. MEDIUM LINK CHAIN

ITEM NO	CHAIN	WORKING	LINK DIMENSION			LINKS	LENGTH PER 100KG	
	SIZE	LOAD	D	P	W	EACH MTR	Self Color	H.D.G.
4006-1	MM	MT	MM	MM	MM	PC	M	M
4006-2	3	0.06	3.15	15.7	13.1	63.8	511	498
4006-3	4	0.11	4.00	18.6	16.0	53.9	320	305
4006-4	5	0.19	5.00	22.0	19.4	45.4	203	193
4006-5	6	0.32	6.30	26.1	23.5	37.8	129	120
4006-6	8	0.53	8.00	32.2	29.5	31.0	77.8	74.1
4006-7	10	0.83	10.0	39.1	36.2	25.0	48.5	47.1
4006-8	12	1.35	12.0	46.0	44.0	21.7	34	33.3
4006-9	13	1.50	13.0	49.1	46.1	20.3	29.7	27.7
4006-10	16	2.31	16.0	59.6	56.5	16.8	20.2	18.2
4006-11	20	3.67	20.0	73.3	70.0	13.6	12.3	11.6
4006-12	24	5.31	24.0	87.0	83.6	11.5	8.5	8.04

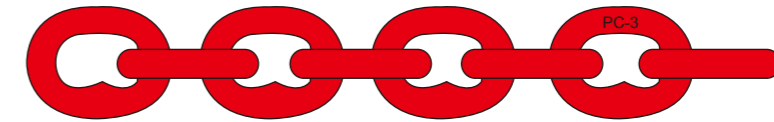
3. LONG LINK CHAIN

ITEM NO	CHAIN	WORKING	LINK DIMENSION			LINKS	LENGTH PER 100KG	
	SIZE	LOAD	D	P	W	EACH MTR	Self Color	H.D.G.
4007-1	MM	MT	MM	MM	MM	PC	M	M
4007-2	5	0.19	5.00	29.3	21.8	34.1	217	206
4007-3	6	0.32	6.30	34.5	26.1	29.0	135	128
4007-4	8	0.53	8.00	41.2	31.9	24.3	82.2	78.1
4007-5	10	0.83	10.0	49.0	38.7	20.4	52.9	50.2

G70 AUSTRALIAN STANDARD TRANSPORT CHAIN

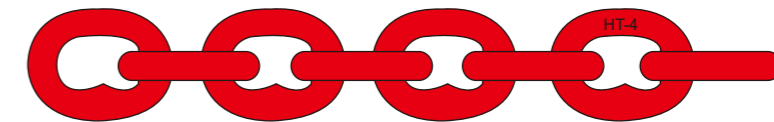
ITEM NO	CHAIN	LINK DIMENSION			WEIGHT	LENGTH	LENGTH	BREAKING
	SIZE	D	p	W	PER M	PER 500KG	PER 50KG	LOAD
	MM	MM	MM	MM	KG	M	M	KN
4008-1	6	6.3	18.9	22.05	0.88	568	56.8	44.1
4008-2	7	7.1	21.3	24.85	1.12	446	44.6	55.9
4008-3	8	8	24	28	1.43	350	35	73.6
4008-4	10	10	30	35	2.16	224	22.4	118
4008-5	13	13	39	45.5	3.75	133	13.3	176

ASTM80 STANDARD LINK / NACM1996/2003 STANDARD LINK CHAIN



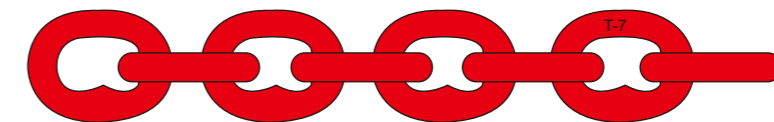
1. PROOF COIL CHAIN ASTM80 (G30)

Item NO	TRADE SIZE	MATERIAL DIAMETER		WORKING LOAD LIMIT		PROOF TEST		BREAKING FORCE MINIMUM		MAX LENGH PER 100 LINKS		MAX WEIGHT PER 100FEET	
		IN	MM	LBS	KG	LBS	KN	LBS	KN	IN	M	LBS	KG
		4009-1	3/16	0.218	5.5	750	340	1500	6.7	3000	13.3	99	2.51
4009-2	1/4	0.281	7.1	1250	570	2500	11.1	5000	22.2	104	2.64	76	34
4009-3	5/16	0.343	8.7	1900	860	3800	16.9	7600	33.8	114	2.89	115	52
4009-4	3/8	0.406	10.3	2650	1200	5300	23.6	10600	47.2	128	3.25	166	75
4009-5	7/16	0.468	11.9	3500	1590	7000	31.1	1400	62.3	142	3.60	225	102
4009-6	1/2	0.531	13.5	4500	2040	9000	40.0	18000	80.1	156	3.96	289	131
4009-7	5/8	0.656	16.7	6900	3130	13800	61.4	27600	122.8	194	4.92	425	193
4009-8	3/4	0.781	19.8	9750	4420	19500	86.7	39000	173.5	220	5.59	612	278



2. HIGH TEST CHAIN ASTM80 (G43)

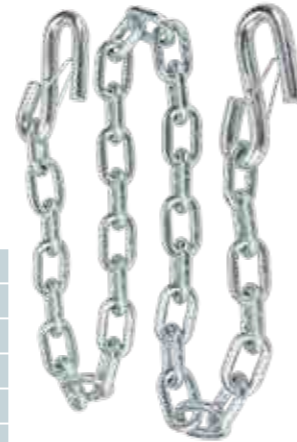
Item NO	TRADE SIZE	MATERIAL DIAMETER		WORKING LOAD LIMIT		PROOF TEST		BREAKING FORCE MINIMUM		MAX LENGH PER 100 LINKS		MAX WEIGHT PER 100FEET	
		IN	MM	LBS	KG	LBS	KN	LBS	KN	IN	M	LBS	KG
		4010-1	1/4	0.281	7.1	2600	1180	4300	19.1	7750	34.5	98	2.49
4010-2	5/16	0.343	8.7	3900	1770	6400	28.5	11600	51.6	110	2.79	120	54
4010-3	3/8	0.406	10.3	5400	2450	8900	39.6	16200	72.1	134	3.40	176	80
4010-4	7/16	0.468	11.9	7200	3260	11900	52.9	21500	95.6	140	3.55	230	104
4010-5	1/2	0.531	13.5	9200	4170	15300	68.1	27600	122.8	150	4.06	300	136



3. HIGH TEST CHAIN ASTM80 (G70)

Item NO	TRADE SIZE	MATERIAL DIAMETER		WORKING LOAD LIMIT		PROOF TEST		BREAKING FORCE MINIMUM		MAX LENGH PER 100 LINKS		MAX WEIGHT PER 100FEET	
		IN	MM	LBS	KG	LBS	KN	LBS	KN	IN	M	LBS	KG
		4011-1	1/4	0.281	7.1	3150	1430	6300	28.0	12600	56.1	98	2.49
4011-2	5/16	0.343	8.7	4700	2130	9400	41.8	18800	83.6	110	2.79	120	54
4011-3	3/8	0.406	10.3	6600	3000	13200	58.7	26400	117.4	134	3.40	176	80
4011-4	1/2	0.531	13.5	11300	5130	22600	100.5	45200	201.1	160	4.06	300	136

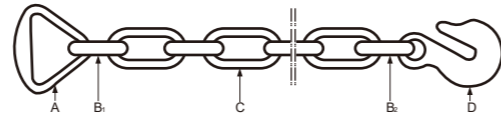
USA STANDARD CHAIN WITH HOOKS



1. TRALLER SAFETY CHAIN WITH "S" HOOKS

ITEM NO	SIZE	ASTM1980		NACM1990		NACM1996/2003	
		WT	MBL	WT	MBL	WT	MBL
		KG	LB	KG	LB	KG	LB
4012-1	3/16"X48"	0.8	2000	0.8	2000	0.8	2000
4012-2	1/4"X48"	1.5	3500	1.4	3500	1.4	3500
4012-3	5/16"X48"		5000	1.9	5000	2.2	5000

WT—WEIGHT PER PIECE
 WL—WORKING LOAD
 BL—BREAKING LOAD

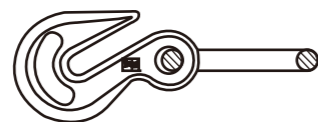
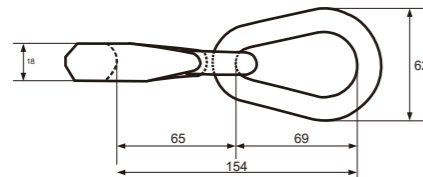


2. CHAIN WITH DELTA RING AND GRAB HOOK EACH ON ONE END

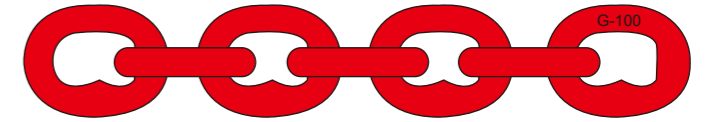
ITEM NO	A	B1	C	B2	D	LENGTH	WEIGHT	B.L.	PC/BAG
4013-1	2"	3/8"	5/16"x11L	3/8"	5/16"	18"	1.17KG	10000LB	50
4013-2	2"	3/8"	5/16"x11L	3/8"	3/8"	18"	1.17KG	10000LB	50
4013-3	3"	7/16"	5/16"x10L	7/16"	5/16"	18"	1.32KG	16200LB	35
4013-4	3"	7/16"	3/8"x9L	7/16"	3/8"	18"	1.48KG	16200LB	35
4013-5	3"	7/16"	3/8"x5L	7/16"	3/8"	12"	1.28KG	16200LB	35
4013-6	4"	7/16"	3/8"x9L	7/16"	3/8"	18"	1.68KG	20000LB	35
4013-7	*	3/8"	5/16"x10L	3/8"	5/16"	18"	1.30KG	11000LB	35
4013-8	*	7/16"	3/8"x9L	7/16"	3/8"	18"	1.35KG	16200LB	35

*—PEAR LINK

3. 1/2" PEAR LINK WITH 3/8" EYE GRAB HOOK



GRADE 100 ALLOY CHAIN



ITEM NO	SIZE	DIA	INSIDE LENGTH	INSIDE WIDTH	WORKING LOAD MAX	PROOF TEST MIN	BREAKING FORCE MIN	WEIGHT PER 100FT	WEIGHT PER METER
		(mm)	(mm)	(mm)	(kg)	(kn)	(kn)	(kg)	
4014-1		6	18	9	1750	35	57	24.4	0.80
4014-2	1/4	7	21	10.5	2400	48	77	33.1	1.09
4014-3	5/16	8	24	12	3150	63	101	43.7	1.43
4014-4	3/8	10	30	15	4900	98	157	68	2.23
4014-5		12	36	18	7100	141	226	97.9	3.21
4014-6	1/2	13	39	19.5	8300	166	265	114.9	3.77
4014-7	5/8	16	48	24	12500	251	402	174	5.71
4014-8		18	54	27	15900	318	509	220.3	7.23
4014-9	3/4	19	57	28.5	11700	354	567	244.9	8.04
4014-10		20	60	30	19700	393	628	272	8.92
4014-11	7/8	22	66	33	23750	475	760	329.1	10.80
4014-12		23	69	34.5	25950	519	831	359.7	11.80
4014-13	1	25	75	37.5	30700	614	982	424.9	13.94
4014-14		26	78	39	33200	664	1062	459.6	15.08

SINGLE JACK CHAIN



SASH CHAIN



DECORATOR CHAIN



ANIMAL CHAIN



1. LINK CHAIN STYLE

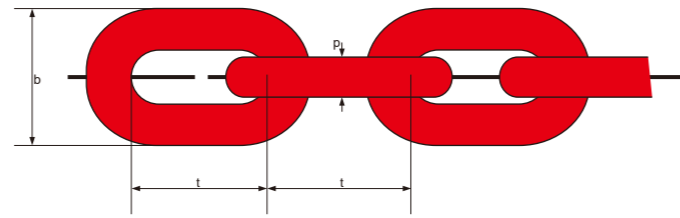
ITEM NO	DIA		INSIDE LENGTH	OUTSIDE WIDTH	LENGTH PER PC	WEIGHT PER DOC	QUANTITY PER CASE
	IN	MM	MM	MM	FEET	KG	DOZEN
4015-1	1/8	3.2	16	12	6	4.4	10
4015-2	5/32	4.0	18.5	14.5	6	6.9	8
4015-3	3/16	4.7	19	17	6	9.7	5

2. DOD LEAD WITH NYLON HANDLE/PVC HANDLE

RDA1648	1.6mmx48"	RDA3048	3.0mmx48"
RDA2048	2.0mmx48"	RDA3548	3.5mmx48"
RDA2548	2.5mmx48"	RDA4048	4.0mmx48"

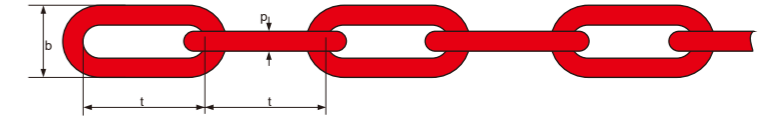


DIN 5685A/C SHORT /LONG LINK CHAIN



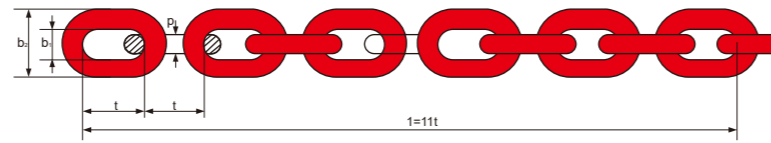
ITEM NO	SIZE		INSIDE LENGTH t MM	OUTSIDE WIDTH b MM	WEIGHT PER 100M KG	TEST LOAD N	BAEAKING LOAD N	TYPE OF LINK
	d MM							
4016-1	2		12 22	8	7 6	500	1250	A C
4016-2	2.5		14 24	10	11 10	750	2000	A C
4016-3	3		16 26	12	16.5 15	1120	2800	A C
4016-4	3.5		18 28	14	22.5 20	1500	3850	A C
4016-5	4		19 32	16	30 27	2000	5000	A C
4016-6	4.5		20 34	18	39.5 35	2500	6300	A C
4016-7	5		21 35	20	50 43	3150	7750	A C
4016-8	5.5		23 38.5	22	60.5 52	3800	9500	A C
4016-9	6		24 42	24	73 63	4500	11500	A C
4016-10	6.5		26 45.5	26	86 74	5400	13500	A C
4016-11	7		28 49	28	100 86	6000	15000	A C
4016-12	8		32 52	32	130 110	8000	20000	A C
4016-13	8.5		34 56	34	149 125	9000	22500	A C
4016-14	9		36 59	36	165 141	10000	25000	A C
4016-15	10		40 65	40	205 175	12500	31000	A C
4016-16	11		44 72	44	250 211	15000	38000	A C
4016-17	12		48 78	48	290 255	18000	45000	A C
4016-18	13		52 82	52	345 295	21200	53000	A C

DIN763 LINK CHAIN



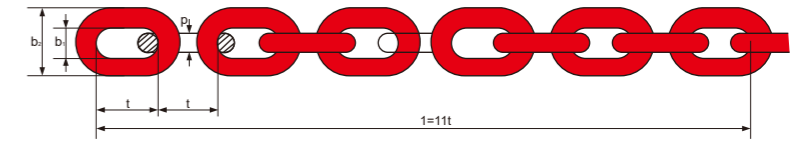
ITEM NO	SIZE		INSIDE LENGTH t		OUTSIDE WIDTH b		WORKING LOAD KG	TEST LOAD N	BREAKING LOAD N	WEIGHT PER M KG
	MM	±MM	MM	±MM	MM	±MM				
4017-1	2.0	0.5	22	1.0	8	0.4	25	800	1250	0.06
4017-2	2.5		24	1.1	10	0.5	40	800	2000	0.10
4017-3	3		26	1.2	12	0.6	55	1050	3200	0.15
4017-4	3.5		28	1.3	14	0.7	80	1540	3850	0.20
4017-5	4		32	1.5	16	0.8	100	2500	6500	0.27
4017-6	4.5		34	1.7	18	0.9	128	3000	8000	0.35
4017-7	5		35	1.8	20	1.0	160	4000	10000	0.43
4017-8	5.5		38.5	1.8	22	1.1	195	4200	10500	0.52
4017-9	6		42	2.0	24	1.2	200	5000	12000	0.63
4017-10	7		49	2.5	28	1.4	300	7500	19000	0.86
4017-11	8		52	2.5	32	1.6	400	10000	25000	1.10
4017-12	8.5		56	2.8	34	1.7	460	10200	25500	1.25
4017-13	9		59	3.0	36	1.8	530	10500	32000	1.41
4017-14	10	1	65	3.2	40	2.0	630	16000	40000	1.75
4017-15	11		72	3.4	44	2.0	790	15800	47500	2.11
4017-16	12		78	3.6	48	2.3	940	18800	56500	2.55
4017-17	13		82	4.0	52	2.5	1000	25000	63000	2.95
4017-18	16		100	5.0	64	3.2	1600	40000	100000	4.45
4017-19	18		113	5.2	70	3.2	2120	42300	127000	5.65
4017-20	19		119	5.6	72	3.4	2370	47300	142000	6.25
4017-21	20		120	6.0	75	3.8	2500	50000	160000	7.00
4017-22	22		127	6.0	82	4.0	3170	63300	190000	8.55
4017-23	25		140	6.6	85	4.2	4090	81700	245000	10.90
4017-24	28		152	7.0	96	4.7	6000	120000	300000	13.9
4017-25	32		171	7.8	108	5.2	8000	160000	400000	18.2

DIN764 LINK CHAIN



ITEM NO	SIZE d		INSIDE LENGHT t		INSIDE WIDTH b1	OUTSIDE WIDTH b2	LENGTH PER 11 LINKS		WEIGHT PER 100M	BAEAKING LOAD	TEST LOAD
	MM	±MM	MM	±MM			MM	±MM			
4018-1	4	0.20	16	0.30 0.20	5	14	176	1.60 0.90	31.3	7	400
4018-2	5	0.20	18	0.40 0.20	7	18.2	198	1.80 1.00	51.4	11.8	680
4018-3	6	0.20	21	0.50 0.20	8	21.5	231	2.00 1.10	74.0	16.5	850
4018-4	8	0.20	28	0.50 0.30	11	29	308	2.20 1.20	131.5	32	1680
4018-5	10	0.30	35	0.60 0.30	14	36	385	2.70 1.50	200	50	2630
4018-6	12	0.30	42	0.60 0.30	16	41	462	3.20 1.80	298	70	3680
4018-7	13	0.40	45	0.70 0.40	18	47	495	3.50 2.00	350	80	4200
4018-8	14	0.45	49	0.75 0.45	20	48	539	3.80 2.00	406	92	4830
4018-9	16	0.50	56	0.90 0.50	22	58	616	4.30 2.50	520	125	6700
4018-10	18	0.80	63	1.00 0.50	24	65	693	4.70 2.80	650	160	8400
4018-11	20	1.00	70	1.10 0.60	27	72	770	5.40 3.20	820	200	10000
4018-12	23	0.20	80	1.30 0.70	31	83	880	6.20 3.50	1100	250	13000
4018-13	26	0.30	91	1.50 0.80	35	94	1001	7.00 4.00	1400	320	16000
4018-14	28	0.40	98	1.60 0.90	36	101	1078	7.50 4.30	1650	360	18000
4018-15	30	1.50	105	1.70 0.90	39	108	1156	7.80 4.60	1900	415	20750
4018-16	33	1.70	115	1.90 1.00	43	119	1265	8.50 4.90	2250	500	25000

DIN766 LINK CHAIN



ITEM NO	SIZE d		INSIDE LENGTH t			INSIDE WIDTH b1	OUTSIDE WIDTH b2	WORKING LOAD			WEIGHT PER M	BREAKING LOAD
	MM	±MM	MM	+MM	-MM			MM	MM	MM		
4019-1	2	0.2	12	0.2	0.2	3.5	7.5	132	1.0	0.5	0.07	1.25
4019-2	3	0.2	16	0.2	0.2	4.2	11	176	1.4	0.7	0.16	4.00
4019-3	4	0.2	16	0.3	0.2	5	13.7	176	2.1	1.1	0.32	8.00
4019-4	5	0.2	18.5	0.4	0.2	6	17	203.5	2.4	1.2	0.5	12.50
4019-5	6	0.2	18.5	0.4	0.2	7.2	20.2	203.5	2.4	1.2	0.8	16.00
4019-6	7	0.3	22	0.4	0.2	8.4	23.8	242	3.0	1.4	1.1	25.00
4019-7	8	0.3	24	0.4	0.2	9.6	27.2	264	3.2	1.5	1.4	32.00
4019-8	9	0.4	27	0.5	0.3	10.8	30.6	297	3.6	1.8	1.8	40.00
4019-9	10	0.4	28	0.5	0.3	12	34	308	3.7	1.9	2.2	50.00
4019-10	11	0.4	31	0.5	0.3	13.2	37.4	341	4.0	2.0	2.7	63.00
4019-11	12	0.3	36	0.6	0.3	14.4	40.8	396	4.4	2.2	3.10	72.40
4019-12	13	0.5	36	0.6	0.3	15.6	44.2	396	4.6	2.4	3.8	80.00
4019-13	14	0.6	41	0.7	0.4	16.8	47.6	451	5.4	2.7	4.4	100.00
4019-14	16	0.6	45	0.8	0.4	19.2	54.4	495	6.0	3.0	5.7	125.00
4019-15	18	0.9	50	0.8	0.4	21.6	61.2	550	6.6	3.3	7.3	160.00
4019-16	19	0.4	53	0.9	0.4	22.8	64.6	583	7.0	3.7	7.97	180.00
4019-17	20	1.0	56	1.0	0.5	24.0	68.0	616	7.4	3.7	9.0	200.00
4019-18	22	1.2	62	1.1	0.5	26.4	75.0	682	8.0	4.0	11.0	243.20
4019-19	23	1.2	64	1.1	0.5	27.6	78.2	704	8.4	4.2	12	250.00
4019-20	26	1.3	73	1.2	0.6	31.2	88.4	803	9.6	4.8	15	320.00
4019-21	28	1.4	78	1.3	0.65	33.8	95.2	858	10.2	5.1	18	400.00
4019-22	30	1.5	84	1.4	0.7	41.3	102	924	11.0	5.5	19.5	450.00
4019-23	32	1.6	90	1.5	0.75	43.0	108.8	990	11.8	5.9	23.0	500.00

STAINLESS STEEL LINK CHAIN SUS304/316



1. JAPANESE STANDARD

ITEM NO	DIA	INSIDE LENGHT	INSIDE WIDTH	WEIGHT/M
	MM	MM	MM	KG
4020-1	2	12	3.5	0.07
4020-2	3	24	5	0.15
4020-3	3	19	5	0.16
4020-4	4	26	6	0.27
4020-5	4	20	6	0.29
4020-6	5	27	7	0.44
4020-7	5	20	7	0.49
4020-8	5.5	30	8	0.54
4020-9	5.5	24	10	0.60
4020-10	6	31	9	0.65
4020-11	6	24	9	0.72
4020-12	7	37	10	0.88
4020-13	7	28	10	0.96
4020-14	8	38	11	1.18
4020-15	8	32	12	1.27
4020-16	9	39	13	1.55
4020-17	9	36	14	1.61
4020-18	10	42	15	1.95
4020-19	12	54	20	2.77
4020-20	12	48	19	2.88

2. DIN766 STANDARD

4021-1	2	12	3.5	0.07
4021-2	3	16	5	0.163
4021-3	4	16	5	0.32
4021-4	5	18.5	6	0.50
4021-5	6	18.5	7.2	0.80
4021-6	7	22	8.4	1.10
4021-7	8	24	9.6	1.40
4021-8	9	27	10.8	1.80
4021-9	10	28	12	2.30
4021-10	11	31	13.2	2.68
4021-11	12	36	14.6	3.11
4021-12	13	36	15.6	3.80
4021-13	16	45	19.2	5.70

3. DIN 5685短环不锈钢链条

ITEM NO	DIA	INSIDE LENGHT	INSIDE WIDTH	WEIGHT/M
	MM	MM	MM	KG
4022-1	2	12	4	0.071
4022-2	2.5	14	5	0.114
4022-3	3	10	6	0.165
4022-4	3.5	18	7	0.23
4022-5	4	19	8	0.30
4022-6	5	21	10	0.50
4022-7	6	24	12	0.73
4022-8	7	28	14	1.00
4022-9	8	32	16	1.30
4022-10	9	36	18	1.65
4022-11	10	40	20	2.05
4022-12	12	48	24	2.9
4022-13	13	52	26	3.45

4. DIN763(DIN5685C) STANDARD

4023-1	2	22	4	0.061
4023-2	2.5	24	5	0.10
4023-3	3	26	6	0.15
4023-4	3.5	28	7	0.20
4023-5	4	32	8	0.27
4023-6	4.5	34	9	0.35
4023-7	5	35	10	0.43
4023-8	6	42	12	0.63
4023-9	7	49	14	0.86
4023-10	8	52	16	1.10
4023-11	9	59	18	1.41
4023-12	10	65	20	1.75
4023-13	13	82	26	2.95
4023-14	16	100	32	4.45

5. KOREAN STANDARD

4024-1	3	23	5.3	0.15
4024-2	4	22	7.5	0.30
4024-3	5	23.7	8.3	0.47
4024-4	6	27.3	10	0.70
4024-5	7	31	12	0.95
4024-6	8	35	13.7	1.25
4024-7	9	39	15.2	1.58
4024-8	12	38	18	3.13

6. AUSTRALIAN STANDARD

ITEM NO	DIA	INSIDE LENGHT	INSIDE WIDTH	WEIGHT/M
	MM	MM	MM	KG
4025-1	4	18.6	8	0.32
4025-2	5	22	9.4	0.50
4025-3	6	26	11.5	0.72
4025-4	8	32.2	13.5	1.28
4025-5	10	39	16.2	2.06
4025-6	12	46	20	2.94
4025-7	13	49.1	20.1	3.36
4025-8	16	59.6	24.5	4.95

7. ASTM80 STANDARD

ITEM NO	DIA		INSIDE LENGHT	INSIDE WIDTH	WEIGHT/M
	IN	MM			
4026-1	1/8	4	23	7	0.29
4026-2	3/16	5.5	24	10.2	0.60
4026-3	1/4	7	25.4	12.5	1.07
4026-4	5/16	8.7	27.9	12.7	1.57
4026-5	3/8	10	31.2	15.17	2.30
4026-6	1/2	13.5	39.6	18.2	4.0
4026-7	5/8	16.7	49	25.5	6.04

8. NACM1990/1996/2003 STANDARD

4027-1	1/8	4	23	7	0.29
4027-2	3/16	5.5	24	10.2	0.60
4027-3	1/4	7	29.3	11	0.98
4027-4	5/16	8	32.5	12.4	1.28
4027-5	3/8	10	34.5	14	2.12
4027-6	1/2	13	45.5	19.8	3.61
4027-7	5/8	16	54	21.5	5.34

PACKAGE DESIGN



CHAIN ATTACHMENTS



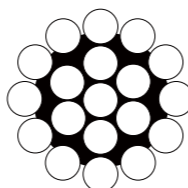
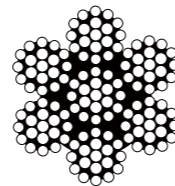
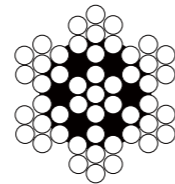
WIRE ROPES

GALVANIZED AIRCRAFT CABLES (not for aircraft use)

Specification: MIL-W83420E
Improved Plow Steel (IPS)



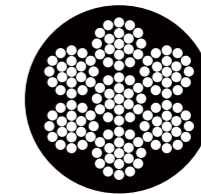
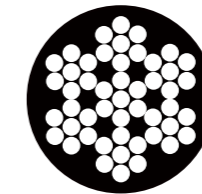
ITEM NO	NOMINAL DIAMETER	TOLERANCE ON Dia.	APPROX WEIGHT	APPROX WEIGHT	MIN. BREAKING STRENGTH	
					GALVANIYED	STAINLESS
					in	in
7x7						
4028-1	3/64	0.008	1.19	4.2	270	270
4028-2	1/16	0.010	3.40	7.5	480	480
4028-3	3/32	0.012	7.26	16.0	920	920
4028-4	1/8	0.014	12.93	28.5	1,700	1,700
4028-5	5/32	0.016	19.50	43.0	2,600	2,400
4028-6	3/16	0.018	28.10	62.0	3,700	3,700
4028-7	1/4	0.018	48.10	106	6,100	6,100
4028-8	5/16	0.022	75.80	167	9,200	9,000
4028-9	3/8	0.026	107.10	236	13,300	12,600
7x19						
4029-1	3/32	0.012	7.89	17.4	1,000	920
4029-2	1/8	0.014	13.15	29.0	2,000	1,760
4029-3	5/32	0.016	20.40	45.0	2,800	2,400
4029-4	3/16	0.018	29.48	65.0	4,200	3,700
4029-5	7/32	0.018	39.00	86.0	5,600	5,000
4029-6	1/4	0.018	49.90	110.0	7,000	6,400
4029-7	9/32	0.020	63.00	139.0	8,000	7,800
4029-8	5/16	0.022	78.50	173.0	9,800	9,000
4029-9	3/8	0.026	110.20	243.0	14,400	12,000
1x19						
4030-1	3/64	0.008	2.14	4.7	280	280
4030-2	1/16	0.010	3.81	8.4	500	500
4030-3	3/32	0.012	8.55	18.9	1,200	1,200
4030-4	1/8	0.014	15.26	33.6	2,100	2,100
4030-5	5/32	0.016	23.80	52.5	3,300	3,300
4030-6	3/16	0.018	34.20	75.4	4,700	4,700
4030-7	1/4	0.018	60.80	134	8,200	8,200
4030-8	5/16	0.022	95.10	210	12,500	12,500
4030-9	3/8	0.026	137.00	302	18,000	17,500



WIRE ROPES

PVC/PP/PE COATED CABLES

Specification: MIL-W83420E
Improved Plow Steel (IPS)



ITEM NO	DIAMETER(in.)		UNIT WEIGHT						BREAKING STRENGTH
	INNER CABLE	OUTER COVER	INNER CABLE		COATING		TOTAL		
			lb/1000'	kg/1000'	lb/1000'	kg/1000'	lb/1000'	kg/1000'	
7x7 PVC/PP/PE									
4031-1	3/64	1/16	4.20	1,91	0.84	0.38	5.04	2.29	270
4031-2	3/64	5/64	4.20	1,91	1.93	0.87	6.13	2.78	270
4031-3	1/16	3/32	7.50	3,40	2.40	1.09	9.90	4.49	480
4031-4	1/16	1/8	7.50	3,40	5.78	2.62	13.28	6.02	480
4031-5	3/32	1/8	16.00	7,26	3.40	1.54	19.40	8.80	920
4031-6	3/32	5/32	16.00	7,26	7.72	3.50	23.72	10.76	920
4031-7	3/32	3/16	16.00	7,26	13.02	5.90	29.02	13.16	920
4031-8	1/8	5/32	28.50	12,93	4.34	1.97	32.84	14.90	1,700
4031-9	1/8	3/16	28.50	12,93	9.64	4.37	38.14	17.30	1,700
4031-10	3/16	1/4	62.00	28,12	13.50	6.12	75.50	34.24	3,700
4031-11	3/16	5/16	62.00	28,12	30.82	13.98	92.82	42.10	3,700
7x19 PVC/PP/PE									
4032-1	3/32	1/8	17.40	7,89	3.37	1.53	20.77	9.42	1,000
4032-2	3/32	5/32	17.40	7,89	7.72	3.50	25.12	11.40	1,000
4032-3	3/32	3/16	17.40	7,89	13.02	5.91	30.42	13.80	1,000
4032-4	1/8	5/32	29.00	13,15	4.34	1.97	33.34	15.12	2,000
4032-5	1/8	3/16	29.00	13,15	9.64	4.37	38.64	17.52	2,000
4032-6	5/32	7/32	45.00	20,41	11.56	5.24	56.56	25.65	2,800
4032-7	5/32	1/4	45.00	20,41	18.80	8.53	63.80	28.94	2,800
4032-8	3/16	1/4	65.00	29,48	13.50	6.12	78.50	35.60	4,200
4032-9	3/16	5/16	65.00	29,48	30.82	13.98	95.82	43.46	4,200
4032-10	1/4	5/16	110.00	49,90	17.40	7.90	127.40	57.80	7,000
4032-11	1/4	3/8	110.00	49,90	38.60	17.50	148.60	67.40	7,000
4032-12	5/16	3/8	173.00	78,47	21.20	9.63	194.20	88.10	9,800
4032-13	5/16	7/16	173.00	78,47	46.30	21.00	219.30	99.50	9,800
4032-14	3/8	7/16	243.00	111,22	25.10	11.38	268.10	121.60	14,400
4032-15	3/8	1/2	243.00	110,22	54.00	24.48	297.00	134.70	14,400

WIRE ROPES

Specification: RR-W-410D

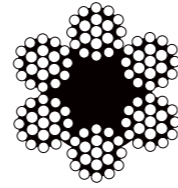
6 x 19+FC, 6 x 19(S)+FC, 6 x 19(W)+FC, 6 x 25(Fi)+FC, 6 x 26(WS)+FC
6 x 37+FC, 6 x 36(WS)+FC

Improved Plow Steel (IPS)

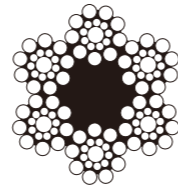
ITEM NO	NOMINAL DIAMETER	MIN. BREAKING STRENGTH		UNIT WEIGHT			
		UNGALV.	GALVANIZED	6 x 19 or 6 x 37		6 x 25, 6 x 26 or 6 x 36	
				lb	lb	lb/1000'	kg/1000'
4033-1	1/4"	5,480	4,940	94	43	---	---
4033-2	5/16"	8,520	7,660	147	67	---	---
4033-3	3/8"	12,200	10,980	211	96	236	107
4033-4	7/16"	16,540	14,880	287	130	320	146
4033-5	1/2"	21,400	19,260	375	170	420	191
4033-6	9/16"	27,000	24,300	475	215	530	242
4033-7	5/8"	33,400	30,000	586	266	660	298
4033-8	3/4"	47,600	42,800	844	383	950	430
4033-9	7/8"	64,400	58,000	1,150	521	1,290	584
4033-10	1"	83,600	75,200	1,500	680	1,680	763
4033-11	1-1/8"	105,200	94,600	1,900	861	2,130	966
4033-12	1-1/4"	129,200	116,200	2,340	1,063	2,630	1,190
4033-13	1-3/8"	155,400	139,800	2,840	1,287	3,180	1,440
4033-14	1-1/2"	184,000	165,600	3,380	1,530	3,780	1,720

Extra Improved Plow Steel (EIPS)

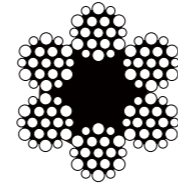
ITEM NO	NOMINAL DIAMETER	MIN. BREAKING STRENGTH		UNIT WEIGHT			
		UNGALV.	GALVANIZED	6 x 19 or 6 x 37		6 x 25, 6 x 26 or 6 x 36	
				lb	lb	lb/1000'	kg/1000'
4034-1	1/4"	6,300	5,680	94	43	---	---
4034-2	5/16"	9,800	8,810	147	67	---	---
4034-3	3/8"	14,000	12,600	211	96	236	107
4034-4	7/16"	19,000	17,100	287	130	320	146
4034-5	1/2"	24,600	22,200	375	170	420	191
4034-6	9/16"	31,100	28,000	475	215	530	242
4034-7	5/8"	38,400	34,500	586	266	660	298
4034-8	3/4"	54,700	49,200	844	383	950	430
4034-9	7/8"	94,100	66,700	1,150	521	1,290	584
4034-10	1"	96,100	86,500	1,500	680	1,680	763
4034-11	1-1/8"	121,000	108,800	1,900	861	2,130	966
4034-12	1-1/4"	148,600	133,600	2,340	1,063	2,630	1,190
4034-13	1-3/8"	178,700	160,800	2,840	1,287	3,180	1,440
4034-14	1-1/2"	211,600	190,400	3,380	1,530	3,780	1,720



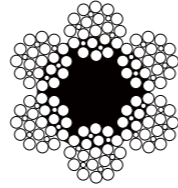
6 x 19+FC



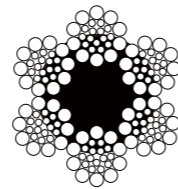
6 x 19(S)+FC



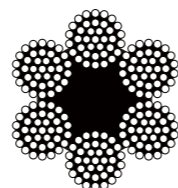
6 x 19(W)+FC



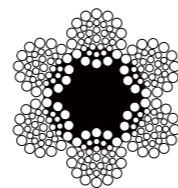
6 x 25(Fi)+FC



6 x 26(WS)+FC



6 x 37+FC

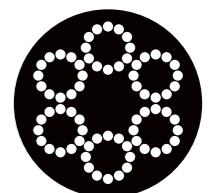
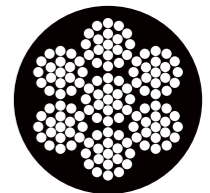
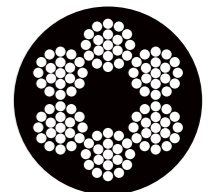
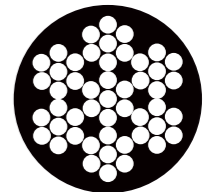
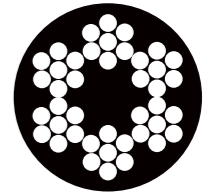


6 x 36(WS)+FC

WIRE ROPES

PVC/PP/PE COATED CABLES

ITEM NO	CONSTRUCTION	DIAMETER mm	UNIT WEIGHT kg/100m	MBS (kn)	
				1770 N/mm2	1960 N/mm2
4035-1	6x7+FC PVC/PP/PE	1.5--2.5	1.27	1.32	1.46
4035-2		2.0--3.0	2.00	2.35	2.60
4035-3		3.0--4.0	4.02	5.29	5.86
4035-4		3.0--5.0	5.04	5.29	5.86
4035-5		4.0--5.0	6.74	9.41	10.4
4035-6		4.0--6.0	8.00	9.41	10.4
4035-7		5.0--6.0	10.18	14.7	16.3
4035-8		6.0--8.0	16.04	21.1	23.4
4035-9		8.0--10	26.95	37.6	41.6
4036-1		7x7 PVC/PP/PE	1.5--2.5	1.35	1.43
4036-2	2.0--3.0		2.14	2.54	2.81
4036-3	3.0--4.0		4.34	5.71	6.32
4036-4	3.0--5.0		5.36	5.71	6.32
4036-5	4.0--5.0		7.31	10.2	11.3
4036-6	4.0--6.0		8.256	10.2	11.3
4036-7	5.0--6.0		11.08	15.9	17.6
4036-8	6.0--8.0		17.34	22.9	25.4
4036-9	8.0--10		29.25	40.6	45.0
4037-1	6x19+FC PVC/PP/PE		3.0--4.0	3.91	4.90
4037-2		3.0--5.0	4.93	4.90	5.43
4037-3		4.0--5.0	6.56	8.70	9.63
4037-4		4.0--6.0	7.82	8.70	9.63
4037-5		5.0--6.0	9.90	13.6	15.1
4037-6		6.0--8.0	15.64	19.6	21.7
4037-7		8.0--10	26.24	34.8	38.5
4037-8		10--12	39.60	54.4	60.2
4037-9		12--14	55.74	78.3	86.7
4038-1		7x19 PVC/PP/PE	3.0--4.0	4.23	5.29
4038-2	3.0--5.0		5.25	5.29	5.86
4038-3	4.0--5.0		7.12	9.4	10.4
4038-4	4.0--6.0		8.38	9.4	10.4
4038-5	5.0--6.0		10.78	14.7	16.3
4038-6	6.0--8.0		16.90	21.2	23.5
4038-7	8.0--10		28.48	37.6	41.6
4038-8	10--12		43.10	58.8	65.1
4038-9	12--14		60.80	84.6	93.7
4039-1	6x12+7FC PVC/PP/PE		2.0--3.0	1.57	1.48
4039-2		3.0--4.0	3.06	3.33	3.69
4039-3		3.0--5.0	4.08	3.33	3.69
4039-4		4.0--5.0	5.04	5.92	6.56
4039-5		4.0--6.0	6.29	5.92	6.56
4039-6		6.0--8.0	12.22	13.30	-
4039-7		8.0--10	20.20	23.70	-



LEVER HOIST HSH-S TYPE



Item No		5000-1	5000-2	5000-3	5000-4	5000-5	5000-6	5000-7	5000-8
Capacity	kg	500	750	1000	1500	2000	3000	6000	9000
Standard lift	m	1.5	1.5	1.5	1.5	1.5	1.5	1.5	1.5
Test load	kg	750	1125	1500	2250	3000	4500	9000	13500
Pull on lever to lift full load	N	248	265	270	295	315	335	370	420
No. of load chain	mm	1	1	1	1	1	1	2	1
Diameter of load chain	mm	5X15	6X18	6X18	7.1X21	8X24	10X30	10X30	10X30
Min. distance between hooks: H	mm	300	330	365	400	445	520	640	830
Length of lever handle: D	mm	253	278	278	378	378	388	388	388
Dimensions (mm)	A	143	148	153	173	181	200	200	200
	B	86	87	90	99	105	112	112	112
	C	118	132	140	145	152	199	230	338
	∅	31.5	35.5	37.5	42.5	45	50	53	67
	E	24	27	29	33.5	36	40	42.5	53

LEVER HOIST HSH-B TYPE



Item No		5001-1	5001-2	5001-3	5001-4	5001-5
Capacity	T	0.75	1.5	3	6	9
Standard lift	M	1.5	1.5	1.5	1.5	1.5
Running test load	KN	11.03	22.05	37.50	75	112.5
Effort required to lift max. load	N	140	220	320	340	360
No. of colums of load chain falls		1	1	1	2	3
Load chain dia.	mm	6X18	8X24	10X30	10X30	10X30
Headroom (drawn closes-up)	H mm	320	380	480	600	700
Length of lever handle:	L mm	280	410	410	410	410
Dimensions (mm)	A	148	172	200	200	203
	B	90	98	115	115	115
	C	136	160	180	235	316
	D	30	35	40	50	85

- Top hook special design with nose, colour black
- Heavy duty safety latch with self-locking nut
- Self locking nuts only
- Two ratchet holding dogs inside with reliable springs
- Hoist housing galvanized (Chrome plated)
- Hook holder, colour black
- With chain fixing bolt(screw) and selflocking nut
- Safety latch, self locking nut on latch fixing screw, reliable spring
- Load hook special design with nose, colour black
- With chain end ring(loose)



LEVER HOIST HSH-C1/C2 TYPE



Item No(HSH-C1)		5002-1	5002-2	5002-3	5002-4	5002-5
Item No(HSH-C2)		5003-1	5003-2	5003-3	5003-4	5003-5
Capacity	T	0.75	1.5	3	6	9
Standard lift	M	1.5	1.5	1.5	1.5	1.5
Running test load	KN	11.0	22.0	37.50	75	112.5
Effort required to lift max. load	N	140	240	320	340	360
No. of colums of load chain		1	1	1	2	3
Load chain dia.	mm	6X18	8X24	10X30	10X30	10X30
Headroom (drawn closes-up)	H mm	320	380	480	600	700
Length of lever handle	L mm	285	370	420	420	410
Dimensions (mm)	A	155	180	215	215	215
	B	95	105	130	130	130
	C	135	155	200	200	200
	D	30	36	40	50	85

CHAIN BLOCK HS-S TYPE



- Adopting the double-pawl braking ensures the chain block for safe and reliable operation.
- The hoisting sprocket made of alloy steel with precision machine has been got well heat-treatment. It matches with chain verywell so that the wear is decreased and the operating life increased.
- The rolling bearings with international general standard are fitted at the ends of the hoisting sprocket, with high transmission efficiency, small pulling force and easy maintenance.

Item No.	5004-1	5004-2	5004-3	5004-4	5004-5	5004-6	5004-7	5004-8	5004-9	5004-10	5004-11	5004-12	5004-13	5004-14	
Capacity(kg)	250	500	1000	1500	2000	3000	3000	5000	7500	10000	15000	20000	30000	50000	
Standard lift(m)	3	3	3	3	3	3	3	3	3	3	3	3	3	3	
No. of load chain falls	1	1	1	1	1	1	2	2	3	4	6	8	12	20	
Load Chain Dia	mm	4X12	6X18	6X18	8X24	8X24	10X30	8X24	10X30	10X30	10X30	10X30	10X30	10X30	
Effort required to lift Max.load(N)		235	249	284	380	343	372	343	372	368	382	378	382	398	475X2
Dimensions (mm)	A(mm)	120	146	161	182	202	255	230	250	430	460	718	840	870	746
	B(mm)	114	138	154	176	177	205	176	189	189	189	189	189	455	660
	C(mm)	21	23	27	33	35	39	39	45	47	59	70	80	85	110
	D(mm)	31	35	40	45	50	55	55	65	67	85	95	106	110	128
	Hmin(mm)	280	250	383	442	485	554	565	760	688	780	950	970	1400	2480

CHAIN BLOCK HS-B TYPE



- All structural parts made of high quality steel
- Alloy steel hooks(35CrMo)
- Gear made of alloy steel(20CrMnTi)
- Strong nut
- Hollow structure increase increase strength
- Safety latches made of casting steel
- All major components are strictly heat treated
- Load chain made by GERMAN machine

Item No	5005-1	5005-2	5005-3	5005-4	5005-5	5005-6	5005-7	5005-8	
Capacity	t	0.5	1	1.5	2	3	5	10	20
Standard lift	m	3	3	3	3	3	3	3	
Running test load	N	0.75	1.5	2.25	3	4.5	6.25	12.5	25
Headroom(drawn close-up)Hmin	mm	271	400	453	420	620	704	720	1000
Effort required to lift max. load	N	221	304	343	314	343	382	392	392
No. of colums of load chain		1	1	1	2	2	2	4	8
Load chain dia.	mm	6X18	6X18	8X24	6X18	8X24	10X30	10X30	10X30
Dimensions (mm)	A	138	164	198	164	198	228	367	598
	B	114	124	142	124	142	167	167	200
	C	21.5	27	30	30	37	46	54	65
	D	145	182	219	182	219	252	252	252

FARM JACK



- Construction,agriculture and industrial application where long travel is required for lifting, pulling,pushing or clamping.
- Adjustable top bracket used for clamping. Sdfety shesr pin protects lifting nose and dropping of load if jack is overloaded.
- Load is supported when activated in either direction.
- 3/4" lift with each handle stroke.

Item No	Capacity	Size	A	B	C	D
6001	3500kg	33inch	31-3/7"	7"	4"	25-3/8"
6002	3500kg	48inch	45"	7"	4"	33-1/4"
6003	3500kg	60inch	57"	7"	4"	33-1/4"

MECHANICAL JACK

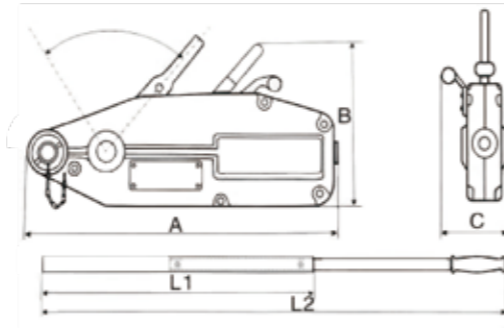


Conforms to DIN7355 and ASME B30.1-2004

Item No		7001	7002	7003	7004	7005	7006
Rated Capacity	T	1.5	3	5	10	16	20
Test Capacity	KN	22	44.1	73.5	147	196	245
Chain Shake to Lift Full Load	N	280	350	400	580	640	640
Main Dimensions (mm)	A	81	83	108	124	135	135
	B	100	130	140	140	150	150
	C	600-900	735-1090	730-1075	800-1190	800-1120	860-1180
	D	60-360	70-425	80-425	100-490	95-415	100-420
	E	55	60	71	86	80	80
	F	46	45	68	76	85	85
	G	110	138	170	170	180	180
	H	225	249	249	300	300	380
	K	147	168	190	250	275	275
	R	119	129	146	168	210	220
S	175	245	218	210	208	208	
T	113	130	130	139	250	250	

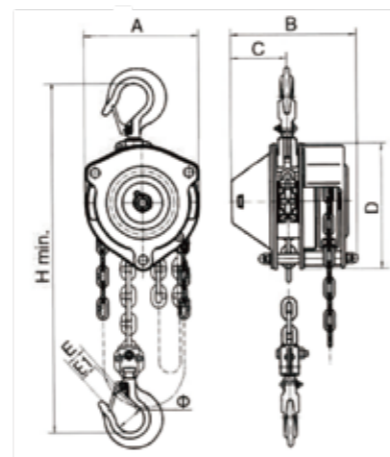
JLVIT WIRE ROPE WINCH

Model Item	JLVIT-800	JLVIT-1600	JLVIT-3200	JLVIT-5400
Rated forward hand power (N)	341	438	438	745
Rated capacity (T)	800	1600	3200	5400
Rated forward travel (MM)	≥52	≥55	≥28	≥30
Rope diameter (MM)	8.3	11	16	20
Wire rope safty factor load capacity (TIMES)	5	5	5	5
Max traveling load 9KG0	1200	2400	4000	8000
Net weight (KG)	6.4	12	28	56
Max outer size (MM)	A	B	C	L1 (CM)
	426	238	64	80
	545	284	97	120
	660	325	116	152
	930	480	152	112
Packing (L*W*H) (CM)	43*6.4*24	54.5*9.7*29	66*12*35	110*110*73



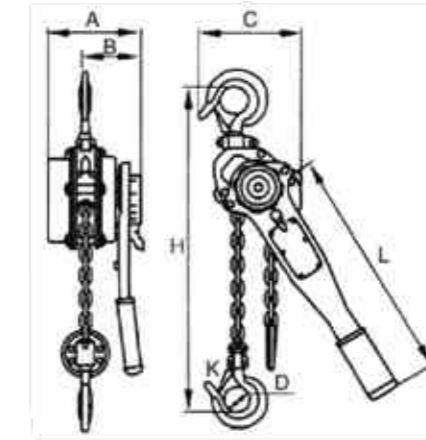
JLV1 TYPE MANUAL CHAIN BLOCK

Capacity (T)	0.25
Standard Lift (M)	2
Running test load (KG)	3.75
Load chain diameter (MM)	4
Headroom (MM)	230
No. of load chain fall	1
Load chain diameter (MM)	4*12
Dimensions (MM)	A
	100
	B
	110
	C
	48.5
	D
	109
	E
	18
	E1
	15.5
	φ
	25
Net weight (KG)	3.5



JLV2 TYPE LEVER BLOCK

Capacity (T)	0.25
Standard Lift (M)	1
Running test load (KG)	3.75
No. of falls of load chain	1
Load chain diameter (MM)	4
Net weight(KG)	1.8
Dimensions (MM)	A
	92
	B
	72
	C
	85
	D
	30
	H
	230
	L
	160
	K
	25



JLV3 TYPE LEVER BLOCK

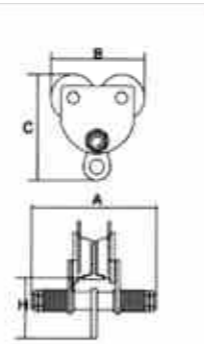
Capacity (KG)	500
Lift Height (M)	1.5
Test load (KG)	7.5
Headroom (MM)	255
No. of load chain fall	1
Hand-pull Lift Force (N)	180
Chain Dia (MM)	5*15
Net weight(KG)	0.55



Conformes to DIN7355 and ASME B30.1-2004
Remarks:the standard lift we accept orders to 12m lift.

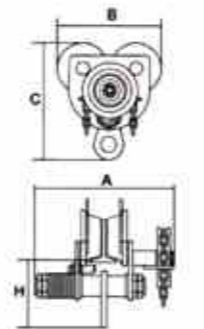
JLGCT-A PLAIN TROLLEY

Capacity (T)	I-Beam width(MM)	Net weight (KG)	Rated Load(KN)	Dimensions(MM)			
				A	B	C	H
0.5	68-126	5	6.25	208	216	200	150
1	80-146	8.7	12.5	242	260	253	170
2	80-168	10.4	25	280	300	310	180
3	88-168	24	37.5	300	345	357	190
5	100-180	36	62.5	316	396	400	210



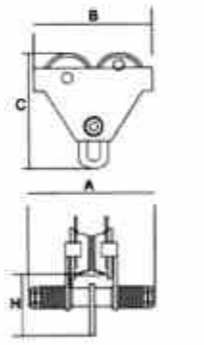
JLGCT-A GEARED TROLLEY

Capacity (T)	I-Beam width(MM)	Net weight (KG)	Rated Load(KN)	Dimensions(MM)			
				A	B	C	H
0.5	68-126	5	6.25	283	213	200	150
1	80-146	8.7	12.5	317	260	253	170
2	80-168	10.4	25	360	300	310	180
3	88-168	24	37.5	380	345	357	190
5	100-180	36	62.5	400	396	400	210



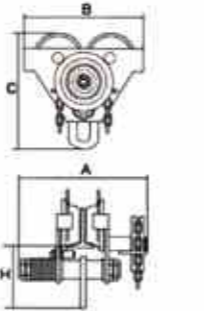
JLGCT-B PLAIN TROLLEY

Capacity (T)	I-Beam width(MM)	Net weight (KG)	Rated Load(KN)	Dimensions(MM)			
				A	B	C	H
0.5	68-128	5.3	6.25	208	200	200	150
1	80-146	8.7	12.5	242	216	253	170
2	80-168	10.4	25	280	260	310	180
3	88-168	24	37.5	300	300	357	190
5	100-180	36	62.5	316	345	400	210
10	122-203	83	125	343	396	520	220



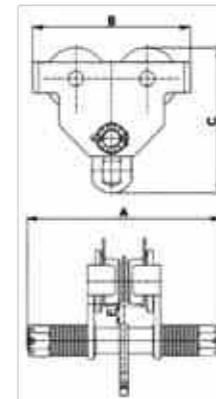
JLGCT-B GEARED TROLLEY

Capacity (T)	I-Beam width(MM)	Net weight (KG)	Rated Load(KN)	Dimensions(MM)			
				A	B	C	H
0.5	68-128	8	6.25	283	200	200	150
1	80-146	11.8	12.5	317	216	253	170
2	80-168	14.5	25	360	260	310	180
3	88-168	27.8	37.5	380	300	357	190
5	100-180	40.2	62.5	400	345	400	210
10	122-203	86	125	443	395	520	220
20	122-203	220	250	465	630	568	290



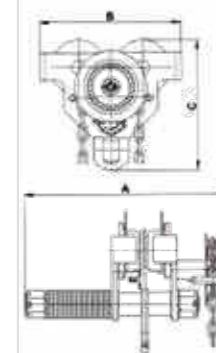
JLGST-E2 TYPE PLAIN TROLLEY

Capacity (T)	I-Beam width(MM)	Net weight (KG)	Rated Load(KN)	Min Radius of curve(KN)	Dimensions(MM)				
					A	B	C	E	K
0.5	64-152	8.6	6.25	0.9	264	216	195	31	110
1	64-203	15.4	12.5	1	335	260	239	32.5	136
2	88-203	23	25	1.1	353	300	286	31	161
3	102-203	40	37.5	1.3	371	345	336	35	185
5	114-203	50	62.5	1.4	393	390	393	37	220
10	125-203	97	125	1.7	436	470	500	45	280



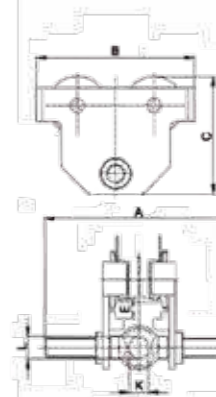
JLCSL-E2 TYPE GEARED TROLLEY

Capacity (T)	I-Beam width (MM)	Net weight (KG)	Rated Load (KN)	Min Rated of curve(M)	Running Height (M)	Chain Pull To lift Full Load(M)	Dimensions(MM)			
							A	B	C	E
1	64-203	19.9	12.5	1	3	44	390	260	239	32.5
2	88-203	28.5	25	1.1	3	80	400	300	286	31
3	102-203	46	37.5	1.3	3	65	430	345	336	35
5	114-203	57	62.5	1.4	3	90	444	390	393	37
10	125-203	103	125	1.7	3	195	489	470	500	45



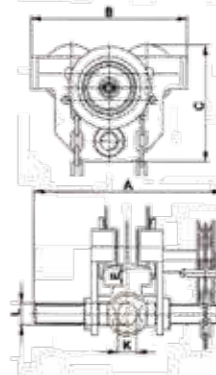
JLCST-Y4 TYPE PLAIN TROLLEY

Capacity (T)	I-Beam width (MM)	Net weight (KG)	Rated Load (KN)	Min Rated of curve (M)	Dimensions(MM)					
					A	B	C	E	K	L
0.5	50-220	8.2	6.25	0.9	292	225	173	33	25	30
1	58-220	10.3	12.5	1	300	252	188	31	30	35
2	66-220	17.5	25	1.1	310	300	226	32	40	47
3	74-220	30.7	37.5	1.3	324	360	289	46	48	58
5	90-220	42.4	62.5	1.4	329	392	313	47	60	70



JLCST-Y4 TYPE GEARED TROLLEY

Capacity (T)	I-Beam width (MM)	Net weight (KG)	Rated Load (KN)	Min Rated of curve(M)	Running Height (M)	Dimensions(MM)					
						A	B	C	E	K	L
0.5	50-220	11.4	6.25	0.9	3	292	225	173	33	25	30
1	58-220	14.7	12.5	1	3	300	252	188	31	30	35
2	66-220	21.8	25	1.1	3	314	300	226	32	40	47
3	74-220	36.7	37.5	1.3	3	350	360	289	46	48	58
5	90-220	48.5	62.5	1.4	3	359	392	313	47	60	70



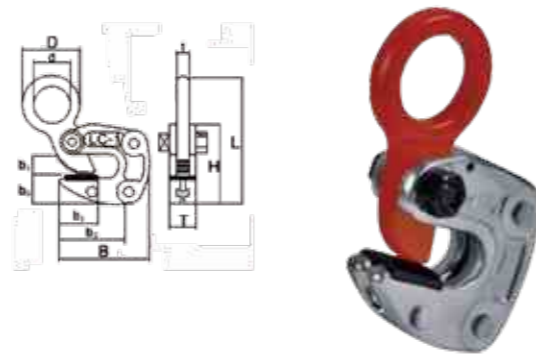
JLLC-H1 TYPE PLAIN CLAMP

Model (T)	Rated Capacity (T)	Test load (T)	Jaw opening (MM)	Net weight (KG)
0.75	0.75	1.5	0-25	2.4
1	1	2	0-30	3.4
2	2	4	0-35	5.4
3	3	6	0-40	6
4	4	8	0-45	6.3
5	5	10	0-55	7.5



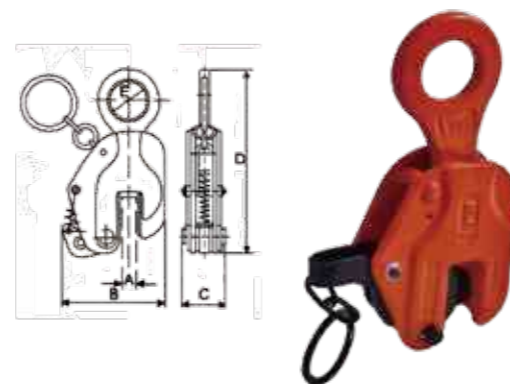
JLLC-H2 TYPE PLAIN CLAMP

Model (T)	Rated Capacity (T)	Test load (T)	Jaw opening (MM)	Net weight (KG)
1	1	2	1-13	2.1
2	2	4	3-22	4.7
3	3	6	12-35	8.4



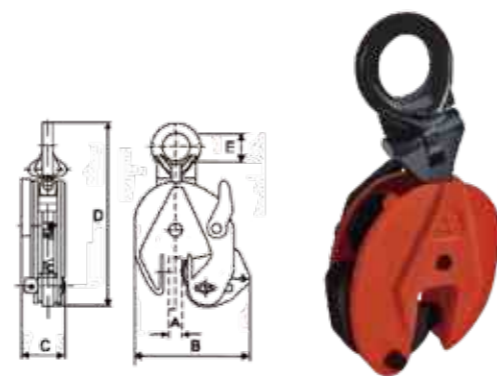
JLLC-V1 TYPE PLAIN CLAMP

Model (T)	Rated Capacity (T)	Test load (T)	Jaw opening (MM)	Net weight (KG)
1	1	2	0-22	4.5
2	2	4	0-32	6.8
3	3	6	0-36	11
5	5	10	0-50	17.2



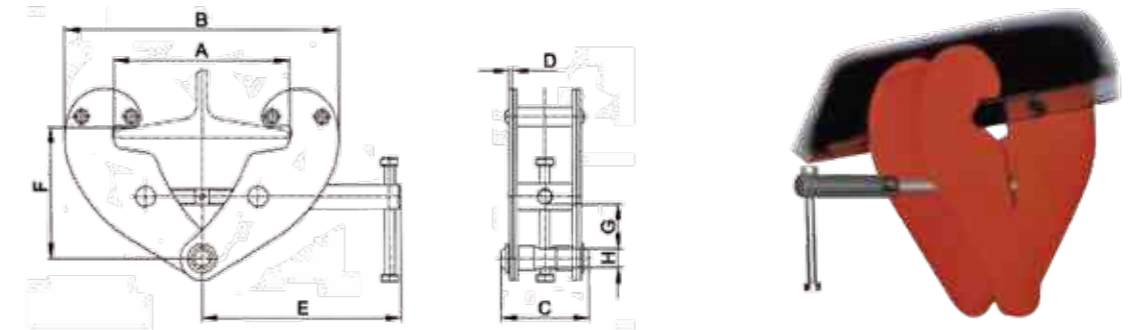
JLLC-V2 TYPE PLAIN CLAMP

Model (T)	Rated Capacity (T)	Test load (T)	Jaw opening (MM)	Net weight (KG)
0.75	0.75	1.5	0-15	2
1	1	2	0-20	4.6
2	2	4	0-30	8
3	3	6	0-25	15
5	5	8	0-30	20.4
8	8	16	0-45	34



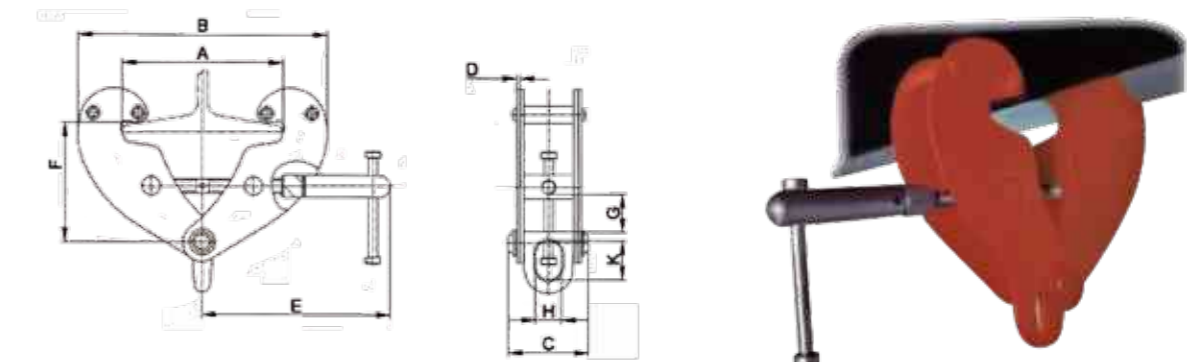
JLLJ-Q TYPE GIRDER CLAMP

Model (T)	Rated Capacity (T)	Test Load (KN)	Adustable Beam Width (MM)	Dimensions(MM)										Net weight (KG)	
				A		B		C	D	E	F		G		H
				max	min	max	min				max				
1	1	12.5	75-230	240	192	367	94	4	194	102	154	22	20	4	
2	2	25	75-230	240	192	367	102	6	194	102	154	22	20	4.8	
3	3	37.5	80-345	355	243	520	132	8	241	133	223	38	22	9.8	
5	5	62.5	80-345	355	243	520	142	10	241	133	223	35	28	11.6	
10	10	125	90-350	360	272	532	180	12	284	155	234	47	38	17	



JLLJ-Q1 TYPE GIRDER CLAMP

Model (T)	Rated Capacity (T)	Test Load (KN)	Adustable Beam Width (MM)	Dimensions(MM)										Net weight (KG)	
				A		B		C	D	E	F		G		H
				max	min	max	min				max				
1	1	12.5	75-230	240	192	367	94	4	218	103	155	20	30	4.2	
2	2	25	75-230	240	192	367	102	6	218	103	155	20	30	5.1	
3	3	37.5	80-320	330	243	491	132	8	258	157	223	47	45	10.4	
5	5	62.5	80-320	330	243	491	142	10	258	157	223	47	45	12.2	
10	10	125	90-320	330	259	501	180	12	293	175	235	56	64	18.8	



JLDRUM LIFTER

Capacity	Opening Size (MM)	Net weight (KG)	Packing (CM)
1T*0.6M	0-25	3.4	17*13.5*8.5





JLHHBB ELECTRIC CHAIN HOIST

Model	Capacity (T)	Lifting speed (M/min)	Lifting Motor					Operating motor					I-Beam (CM)	
			Power (KW)	Rotation speed (M/min)	Phases	Voltage (V)	Frequency (V)	Power (KW)	Rotation speed (M/min)	Operating speed (M/min)	Phases	Voltage (V)		Frequency (V)
0.5T-01	0.5	7.8	1.1	1440	3	220-440	50	0.12	1440	24	3	220-440	50	58-127
1T-02	1	6.9	1.5	1440	3	220-440	50	0.4	1440	11/21	3	220-440	50	68-130
1T-02	1	3.9	1.1	1440	3	220-440	50	0.4	1440	11/21	3	220-440	50	68-130
2T-01	2	6.6	3.0	1440	3	220-440	50	0.4	1440	11/21	3	220-440	50	82-153
2T-02	2	3.4	1.5	1440	3	220-440	50	0.4	1440	11/21	3	220-440	50	82-153
3T-01	3	5.6	3.0	1440	3	220-440	50	0.75	1440	11/21	3	220-440	50	100-178
3T-02	3	4.4	3.0	1440	3	220-440	50	0.75	1440	11/21	3	220-440	50	100-178
5T-02	5	2.8	3.0	1440	3	220-440	50	0.75	1440	11/21	3	220-440	50	100-178

SAFETY DEVICES

1. The Electromagnetic Brake

Electromagnetic brake is featured by its unique brake design-It immediately operates when power cuts off(even if the hoist is fully-loaded).

2. The Mechanical Load Brake

The mechanical load brake effectively prevents the hoist descending too fast even if fully loaded.The Mechanical Load Brake operates independently so if the Electromagnetic Brake fails the Mechanical Load Brake will still function.

3. HOOK and Safety Tongue

The hook is constructed of anti-pull and heat-treated steel and meets required standards.The lower-hook can turn 360 degree;it's tongue provides a guarantee for safety.

4. The Back-Phase Protector

The back-phase protects the motor from over heating in the case of wrong phase position.

5. Limit Switch

The power will cut off automatically when the hoist ascends or descends to its limit.

6. The Emergency-Stop Switch(If selecteed)

This switch is used to stop the hoist in emergency.The red and mushroom-shaped switch is located on the top of the switch controller.When pressed and held down,the power will be cut off and the switch be locked.A clockwise-turn can unlock it and restart the hoist.

JLDY SINGLE SNATCH BLOCK

TYPE		S.W.L. (T)	Sheave dia D (MM)	For wire dia (MM)	Net weight (KG)
Hook	Eye				
75DY*1S	75YD*1S0	0.5	75	8	1.5
100DY*1S	100YD*1S0	1	100	10	2.6
125DY*1S	125YD*1S0	1.5	125	13	4.8
150DY*1S	150YD*1S0	2	150	16	7.4
180DY*1S	180YD*1S0	3	180	19	11.9
200DY*1S	200YD*1S0	4	200	22	20.4
250DY*1S	250YD*1S0	5	250	25	33
300DY*1S	300YD*1S0	6	300	26	48

JLDY DOUBLE SNATCH BLOCK

TYPE		S.W.L. (T)	Sheave dia D (MM)	For wire dia (MM)	Net weight (KG)
Hook	Eye				
75DY*1S	75YD*1S0	0.5	75	8	2.8
100DY*1S	100YD*1S0	1	100	10	4.3
125DY*1S	125YD*1S0	1.5	125	13	7.8
150DY*1S	150YD*1S0	2	150	16	12.2
180DY*1S	180YD*1S0	3	180	19	18.5
200DY*1S	200YD*1S0	4	200	22	31
250DY*1S	250YD*1S0	5	250	25	49.5
300DY*1S	300YD*1S0	6	300	26	72
350DY*1S	350YD*1S0	10	350	28	10.2

JLH418 SNATCH BLOCK

Model	Size (IN)	W.L.L (T)	For wire dia (in)	Net weight (KG)
WDL5703	3	2	3/8	2.25
WDL5705	4 1/2	4	1/2	5.6
WDL5706	6	8	3/4	12.1
WDL5708	8	8	3/4	15
WDL5710	10	8	3/4	21.5
WDL5712	12	8	3/4	26
WDL5714	14	8	3/4	36
WDL5716	16	15	7/8	54

JLH418 SNATCH BLOCK

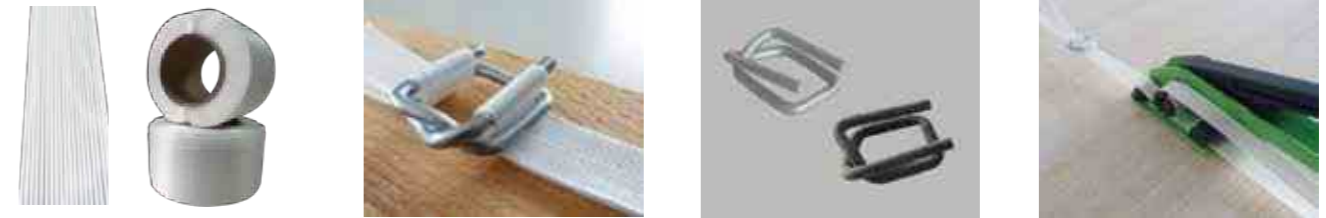
Model	Size (IN)	W.L.L (T)	For wire dia (in)	Net weight (KG)
WDL5803	3	2	3/8	2.25
WDL5805	4 1/2	4	1/2	5.85
WDL5806	6	8	3/4	12.5
WDL5808	8	8	3/4	16.5
WDL5810	10	8	3/4	21.5
WDL5812	12	8	3/4	29.5
WDL5814	14	8	3/4	39.5
WDL5816	16	15	7/8	62





COMPOSITE STRAP

BST Composite Strap is made of high-strength polyester, and it has been widely applied in transport safety packaging for its special texture and high anti-cushioning performance. Due to its components of high macromolecular synthetic polyester, it can well bind and fix scattered bundles of goods, making their transport more secure and fast.



COMPOSITE STRAP regular parameters

Item No.	Width	Broken Load (kg)	Load Capacity (kg)	Meter/Coil (m)	Coil/Ctn (coils)	Coil/Pallet (coils)	Affiliated Buckle
JLBT-VS-40	13 mm or 1/2"	470	300	1100	2	90	BT-BS-30
JLBT-VS-50	16 mm or 5/8"	660	425	850	2	90	BT-BS-35
JLBT-VS-60	19 mm or 3/4"	756	475	600	2	90	BT-BS-40
JLBT-VS-65	19 mm or 3/4"	950	625	500	2	90	BT-BS-40
JLBT-VS-80	25 mm or 1"	1327	785	500	2	90	BT-BS-50
JLBT-VS-107	32 mm or 5/4"	2300	1500	230	2	90	BT-BS-70

COMPOSITE STRAP special parameters

Item No.	Width	Broken Load (kg)	Load Capacity (kg)	Meter/Coil (m)	Coil/Ctn (coils)	Coil/Pallet (coils)	Affiliated Buckle
JLBT-VS-55	16 mm or 5/8"	678	550	600	2	90	BT-BS-35
JLBT-VSL-60	19 mm or 3/4"	645	380	700	2	90	BT-BS-40
JLBT-VS-66	19 mm or 3/4"	1056	725	500	2	90	BT-BS-40
JLBT-VS-85	25 mm or 1"	1460	925	450	2	90	BT-BS-60
JLBT-VS-105	32 mm or 5/4"	2300	1500	250	2	90	BT-BS-70
JLBT-VS-106	32 mm or 5/4"	2300	1500	300	2	90	BT-BS-70



WIRE BUCKLE

Wire buckle, also known as cord strap buckle, is pressed by large machinery, after galvanization phosphating to surface, it has high tension resistance, it is ideal metal buckle, which is used in conjunction with polyester cord strap, PP strap, PET strap, and polyester woven strap.

Item No.	Width	Diameter (mm)	Pcs/Ctn (pcs)	Type
JLBT-BS-30	13 mm or 1/2"	3.3	1000	Galvanized or Phosphatized
JLBT-BS-35	16 mm or 5/8"	3.5	1000	
JLBT-BS-40	19 mm or 3/4"	4.0	1000	
JLBT-BS-50	25 mm or 1"	5.0	500	
JLBT-BS-60	25 mm or 1"	6.0	500	
JLBT-BS-70	32 mm or 5/4"	7.0	250	
JLBT-BS-70A	38 mm or 3/2"	7.0	200	
JLBT-BS-80	50 mm or 2"	8.0	100	



Galvanized buckle



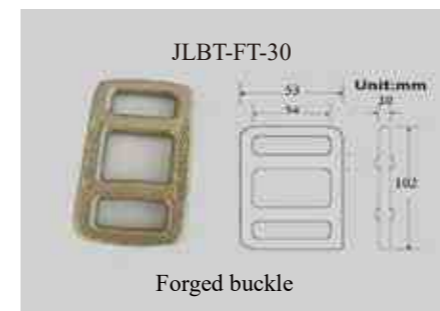
Phosphatized buckle



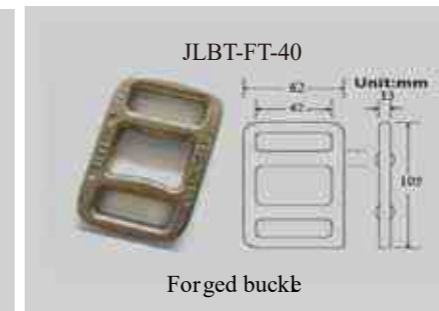
FORGED BUCKLE

Forged buckle is a kind of high-strength packing buckle specifically used in conjunction with polyester woven strap. It is forged by large machinery. With 5-12 tons of pulling force, it effectively prevents heavy cargo from movement or damage during transport.

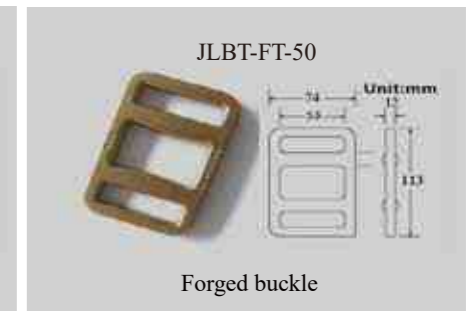
Item No	Width (mm)	Thickness (mm)	Weight/Pcs (g)	Pcs/Ctn (pcs)	Broken Load (kg)
JLBT-ET-30	30	10	225	100	5890
JLBT-ET-40	40	13	335	72	8670
JLBT-ET-50	50	12	365	60	9000 above



Forged buckle



Forged buckle



Forged buckle



Bottom-up through the hole



Bottom-up through the right hole



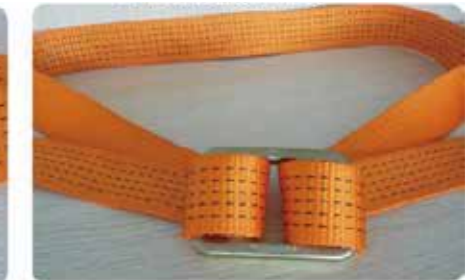
From top to bottom through the hole



Tighten



The other end repeat the above steps



Carry out

ONE WAY BUCKLE

ONE WAY BUCKLE



JL9042
50mm B.S. 5000Kg



JL9042-10
75mm B.S. 10000Kg



JL9067
25mm B.S. 2000Kg



JL9075-12
30mm B.S 4000kg



JL9075-13
50mm B.S 7000kg



JL9075-14
75mm B.S 8000kg



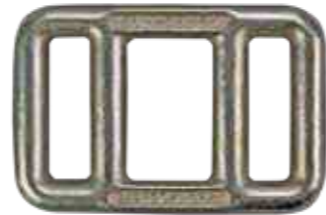
OW30W
30mm B.S 3000kg



JL9067-F
25mm B.S. 2000Kg



JL9068B
25mm B.S. 1800Kg



JL9075-5
50mm B.S 5000kg



OW40W-3
40mm B.S 4000kg



OW40W-5
40mm B.S 4000kg



OW50W
50mm B.S 5000kg



OWS25
25mm B.S. 1600Kg



JL9075-6
40mm B.S 4000kg



JL9075-7
40mm B.S 4000kg



JL9075-8
50mm B.S 5000kg



OWS35
35mm B.S. 1600Kg



OWS50
50mm B.S. 2000Kg



OWS50-1-2
50mm B.S. 2000Kg



OWS50-3
50mm B.S. 2000Kg



JL9075-9
50mm B.S 5000kg



JL9075-10
30mm B.S 3000kg



JL9075-11
40mm B.S 5000kg



JL9937
40mm B.S 5000kg



JL9349
50mm B.S. 2000Kg



JL9361
25mm B.S. 2000Kg



F3543-3
50mm B.S. 1000Kg

ONE WAY BUCKLE

ONE WAY BUCKLE

WOVEN LASHING STRAP



Item No.: 19mm*1000daN Item No.: 25mm*1350 daN Item No.: 30mm*1500 daN Item No.: 32mm*2300 daN



Item No.: 38mm*3500 daN Item No.: 40mm*5000 daN Item No.: 50mm*5000 daN Item No.: 50mm*7500 daN

STRAP TENSIONER

Strap tensioner, also called as manual strap tool, is used to tighten or cut strap after packed products. Its main function is to tighten packed goods, preventing goods from scattering due to loose strapping during the transport or storage, and keeping bundles in a good order.

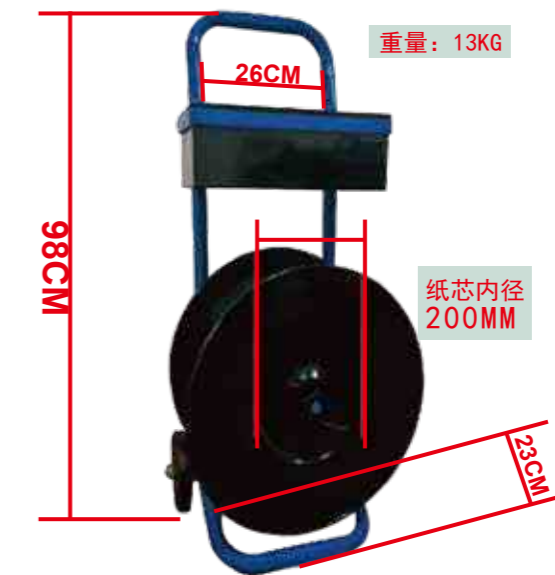
Item No	Knife Width (mm)	Color	Applicable Strap	Strap Width Range	Strap Thickness Range
JLCT-19	19	Green	PP/Composite Strap	9-19 mm	0.4-1.0 mm
JLCT-25	25	Red	PP/Composite Strap	9-25 mm	0.4-1.1 mm
JLCT-32	32	Blue	PP/Composite Strap	9-32 mm	0.6-1.2 mm
JLCT-50	50	Blue	PP/Composite Strap	9-50 mm	0.6-1.5 mm



STRAP DISPENSER

BST strap dispenser is a subsidiary tool to main product polyester cord strap. It is convenient for users to move goods freely during the pscaking process, and its nice styling adds to their value. Strap dispenser is equipped with toolbox, which can store packing tools, for example, strap tensioner, wire buckle, forged buckle, etc. The strap dispenser is convenient and durable.

Item No	Core Size (mm)	Weight/Set (kg)	Load Capacity (kg)
JLBT-200	200	13	70



FEATURES

- European-style design, easily move and lightweight, solid but not bulky, simple and scientific, and easy to operate.
- The strap core size: 200 mm
- Configuration: with a toolbox, convenient and practical.
- Weight: 13 KG
- Load capacity: 70 KG
- Outside packing: L*W*H: 460*360*630 (mm)
- Assembled volume: L*W*H: 480*360*980 (mm)



1T Hand Puller Zinc Finish
single gear / two hooks / double cables



Item No.	Cable	Qty/CTN (pcs)	G/W (kgs)	N.W. (kgs)	Meas (cm)
JL1-S-D	φ4.5mmx2m	6	11	10	55x23x22

1T Hand Puller Zinc Finish
two gears / two hooks / double cables



Item No.	Cable	Qty/CTN (pcs)	G/W (kgs)	N.W. (kgs)	Meas (cm)
JL1-D-D	φ4.5mmx2m	6	13	12	55x23x22

2T Hand Puller Zinc Finish
single gear / two hooks / double cables



Item No.	Cable	Qty/CTN (pcs)	G/W (kgs)	N.W. (kgs)	Meas (cm)
JL2-D-D-A	φ4.5/φ5.5mmx2.5m	6	16	15	57x25x22

4T Hand Puller Zinc Finish
two gears / two hooks / double cables



Item No.	Cable	Qty/CTN (pcs)	G/W (kgs)	N.W. (kgs)	Meas (cm)
JL4-D-D-A	φ6/φ6.5mmx2.5m	4	23	22	74x24x32

2T Hand Puller Zinc Finish
single gear / two hooks / double cables



Item No.	Cable	Qty/CTN (pcs)	G/W (kgs)	N.W. (kgs)	Meas (cm)
JL2-S-D	φ4.5mmx2.5m	6	14.5	13.5	57x25x22

2T Hand Puller Zinc Finish
two gears / two hooks / double cables



Item No.	Cable	Qty/CTN (pcs)	G/W (kgs)	N.W. (kgs)	Meas (cm)
JL2-D-D	φ4.5mmx2.5m	6	15	14	57x25x22

4T Hand Puller Zinc Finish
single gears / two hooks / double cables



Item No.	Cable	Qty/CTN (pcs)	G/W (kgs)	N.W. (kgs)	Meas (cm)
JL4-S-D	φ5.5/φ6mmx3m	4	18	17	70x21.5x28

4T Hand Puller Zinc Finish
two gears / two hooks / double cables



Item No.	Cable	Qty/CTN (pcs)	G/W (kgs)	N.W. (kgs)	Meas (cm)
JL4-D-T	φ5.5/φ6mmx3m	4	20	19	70x21.5x28

2T Hand Puller Zinc Finish
single gear / three hooks / double cables



Item No.	Cable	Qty/CTN (pcs)	G/W (kgs)	N.W. (kgs)	Meas (cm)
JL2-S-T	φ4.5mmx2m	6	15	14	57x25x22

2T Hand Puller Zinc Finish
two gears / three hooks / double cables



Item No.	Cable	Qty/CTN (pcs)	G/W (kgs)	N.W. (kgs)	Meas (cm)
JL2-D-T	φ4.5mmx2m	6	16	15	57x25x22

4T Hand Puller Zinc Finish
two gear / two hooks / double cables



Item No.	Cable	Qty/CTN (pcs)	G/W (kgs)	N.W. (kgs)	Meas (cm)
JL4-D-D	φ5.5/φ6mmx3m	4	19	18	70x21.5x28

4T Hand Puller Zinc Finish
single gears / three hooks / double cables



Item No.	Cable	Qty/CTN (pcs)	G/W (kgs)	N.W. (kgs)	Meas (cm)
JL4-S-T	φ5.5/φ6mmx3m	4	19.5	18.5	70x21.5x28

HAND PULLER

HAND PULLER

Hand Ratchet Puller

Products are mainly used in power and telecommunications departments and traction wires and other types of cables, all kinds of enterprises and institutions traction, agricultural construction, industry tight line, build goods, etc., car transport fixed large equipment and other goods.



Item No.	B/S	Max Working Load (kg)	Cable	Size (mm)	N.W. (kg)
JL-PC1000	1 Ton	400	φ5mmx2.8m	560	3.3



Item No.	B/S	Max Working Load (kg)	Cable	Size (mm)	N.W. (kg)
JL-PC2000B	2 Ton	850	φ6mmx2.8m	620	4.8



JL-PC3000A (2 hooks)

Item No.	B/S	Max Working Load (kg)	Cable	Size (mm)	N.W. (kg)
JL-PC3000A	3 Ton	1250	φ7mmx2.8m	700	5.5



Item No.	B/S	Max Working Load (kg)	Cable	Size (mm)	N.W. (kg)
JL-PC4000	4 Ton	1500	φ7mmx2.8m	700	6.52



Item No.	B/S	Max Working Load (kg)	Cable	Size (mm)	N.W. (kg)
JL-PW1500	1.5 Ton	600	45mmx3.0m	700	4.5

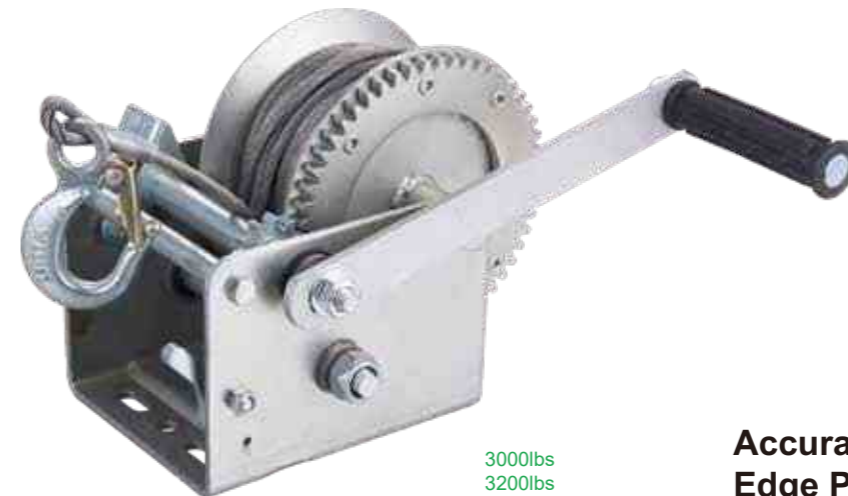


Item No.	B/S	Max Working Load (kg)	Cable	Size (mm)	N.W. (kg)
JL-PW2000	2 Ton	850	45mmx5.0m	620	5

Black Serie



Silver Zinc Plated Serie



3000lbs
3200lbs
3500lbs

Accurate Steel Stamping
Edge Polish
Heat Treatment
Anti-Corrosion Treatment

HAND PULLER

HAND WINCH

Hand Winch with Wire Rope

Item No.	Capacity(kg)	B/S (kg)	Gear Ratio	Way/Speed	Cable	N.W.(kg)
JL-HW600	272	408	3.2:1	1 way or 2 way	φ4mmx8m	2.5
JL-HW800	362	544	3.2:1	1 way or 2 way	φ4mmx8m	2.5
JL-HW1000	454	675	4.1:1	2 way / 1 speed	φ4mmx10m	3.67
JL-HW1200	544	825	4.1:1	2 way / 1 speed	φ4mmx10m	3.67
JL-HW1400	640	900	4:1	2 way / 1 speed	φ5mmx10m	4.3
JL-HW1600	700	1080	4:1	2 way / 1 speed	φ5mmx10m	4.3
JL-HW1800	800	1200	4:1/8:1	2 way / 2 speed	φ5mmx10m	5.2
JL-HW2000	900	1350	4:1/8:1	2 way / 2 speed	φ5mmx10m	5.3
JL-HW2500	1100	1650	4:1/8:1	2 way / 2 speed	φ5mmx10m	5.3
JL-HW3000	1360	2040	4.4:1/9.3:1	2 way / 2 speed	φ6mmx10m	8.7
JL-HW3200	1455	2180	4.4:1/9.3:1	2 way / 2 speed	φ6mmx10m	8.7
JL-HW3500	1590	2385	4.4:1/9.3:1	2 way / 2 speed	φ6mmx10m	8.7

Hand Winch with Hand Brake

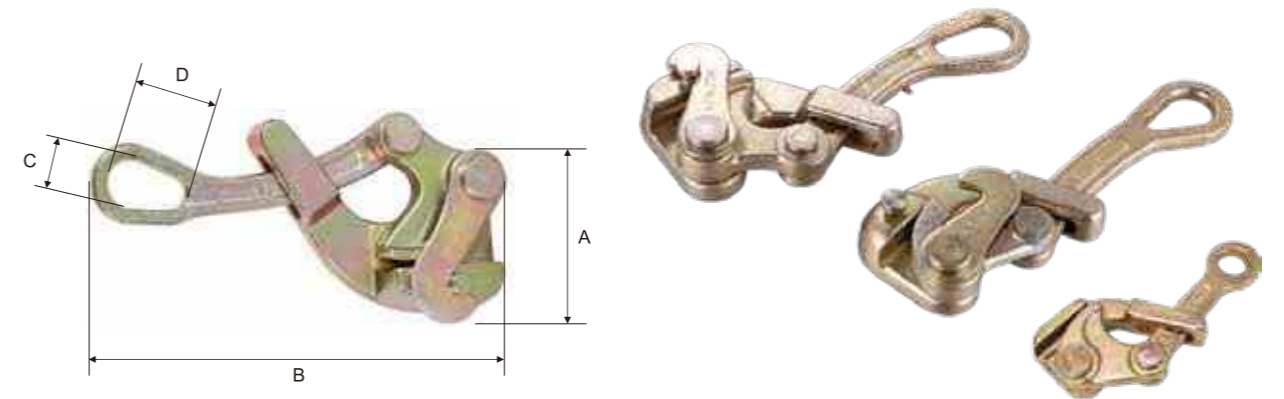


Item No.	JL-HHB2500
Capacity(kg)	1100
B/S (kg)	1650
Gear Ratio	15.2:1/5.4:1
Way/Speed	2 way / 2 speed
Webbing	60 mmx13 m
N.W.(kg)	8.6

Hand Winch with Webbing

Item No.	Capacity(kg)	B/S (kg)	Gear Ratio	Way/Speed	Webbing	N.W.(kg)
JL-HW600	272	408	3.2:1	1 way or 2 way	50mmx6m	2.23
JL-HW800	362	544	3.2:1	1 way or 2 way	50mmx6m	2.23
JL-HW1000	454	675	4.1:1	2 way / 1 speed	50mmx7m	3.4
JL-HW1200	544	825	4.1:1	2 way / 1 speed	50mmx7m	3.4
JL-HW1400	640	900	4:1	2 way / 1 speed	50mmx10m	3.96
JL-HW1600	700	1080	4:1	2 way / 1 speed	50mmx10m	3.96
JL-HW1800	800	1200	4:1/8:1	2 way / 2 speed	50mmx10m	4.95
JL-HW2000	900	1350	4:1/8:1	2 way / 2 speed	50mmx10m	5.05
JL-HW2500	1100	1650	4:1/8:1	2 way / 2 speed	50mmx10m	5.05
JL-HW3000	1360	2040	4.4:1/9.3:1	2 way / 2 speed	60mmx10m	8.1
JL-HW3200	1455	2180	4.4:1/9.3:1	2 way / 2 speed	60mmx10m	8.1
JL-HW3500	1590	2385	4.4:1/9.3:1	2 way / 2 speed	60mmx10m	8.1

American Type Wire Rope Grip



Item No.	Rated Load	Grip Range (mm)	Main Size(mm)				N.W.(kg)
			A	B	C	D	
JL-CGA500	0.5 Ton	1-10	55	131	16	16	0.4
JL-CGA1000	1 Ton	4-14	50	110	26	43	1.33
JL-CGA2000	2 Ton	7-20	66	128	29	43	1.65
JL-CGA3000	3 Ton	16-32	83	160	29	49	2.74

Hand Winch with Only

Item No.	Capacity(kg)	B/S (kg)	Gear Ratio	Way/Speed	N.W.(kg)
JL-HW600	272	408	3.2:1	1 way or 2 way	1.8
JL-HW800	362	544	3.2:1	1 way or 2 way	1.8
JL-HW1000	454	675	4.1:1	2 way / 1 speed	2.75
JL-HW1200	544	825	4.1:1	2 way / 1 speed	2.75
JL-HW1400	640	900	4:1	2 way / 1 speed	3.35
JL-HW1600	700	1080	4:1	2 way / 1 speed	3.35
JL-HW1800	800	1200	4:1/8:1	2 way / 2 speed	4.15
JL-HW2000	900	1350	4:1/8:1	2 way / 2 speed	4.25
JL-HW2500	1100	1650	4:1/8:1	2 way / 2 speed	4.25
JL-HW3000	1360	2040	4.4:1/9.3:1	2 way / 2 speed	7.2
JL-HW3200	1455	2180	4.4:1/9.3:1	2 way / 2 speed	7.2
JL-HW3500	1590	2385	4.4:1/9.3:1	2 way / 2 speed	7.2

German Type Wire Rope Grip



Item No.	Applied Cable(GJ)	Rated Load(KN)	N.W.(kg)
JL-CGG1	16-70	12	1
JL-CGG2	50-150	16	1.3
JL-CGG3	150-300	20	2.2

Aluminum Alloy Wire Rope Grip-without teeth



Item No.	Applied Cable(GJ)	Rated Load(KN)	Grip Range(mm)	N.W.(kg)
JL-CGN1	25-70	10	14	1
JL-CGN2	95-120	15	18	1.56
JL-CGN3	150-240	25	24	3.2
JL-CGN4	300-400	40	32	4.14
JL-CGN5	500-630	50	37	6.7

Double Cam Wire Rope Grip



Item No.	Applied Cable(GJ)	Rated Load(KN)	Grip Range(mm)	N.W.(kg)
JL-CGD1	25-50	10	11	1.9
JL-CGD2	50-70	20	13	2.4
JL-CGD3	70-120	30	15	3.5

Aluminum Alloy Wire Rope Grip-with teeth



Item No.	Applied Cable(GJ)	Rated Load(KN)	Grip Range(mm)	N.W.(kg)
JL-CGT1	25-70	10	14	1.5
JL-CGT2	95-120	15	18	2.3
JL-CGT3	150-240	25	24	3.4
JL-CGT4	300-400	40	32	5.15
JL-CGT5	500-630	50	37	7