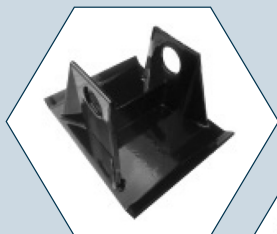
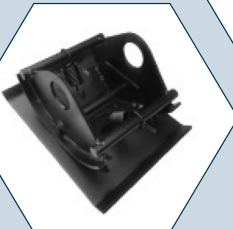


SPARE PARTS SERIES FOR LANDING GEAR



SAND FOOT



SPRING FOOT



ROCKING FOOT



CRANK HANDLE

3D SHOW ROOM



WECHAT



LINK IN



宁波九隆五金有限公司

NINGBO JIULONG HARDWARE CO.,LTD.

NINGBO JIULONG INTERNATIONAL CO.,LTD.

公司地址：浙江·宁波·宁海科技大道33号

Factory Add : NO.33 Technology Street, Ninghai, Ningbo

Office Add : 5F, Guangbo International Centre, No.1357

Yinxian Road, Ningbo, China

电话 (Tel) : 0086-574-82815295

手机 (Mob) : 0086-13989392999 (Wechat, WhatsApp)

传真 (Fax) : 0086-574-82815296

邮编 (P.C) : 315100

网址 (Web) : www.nb-jiulong.com / www.jltiedown.com

邮箱 (Email) : sales@jlhardware.com / jack@jlhardware.com



宁波九隆五金有限公司

NINGBO JIULONG HARDWARE CO.,LTD.

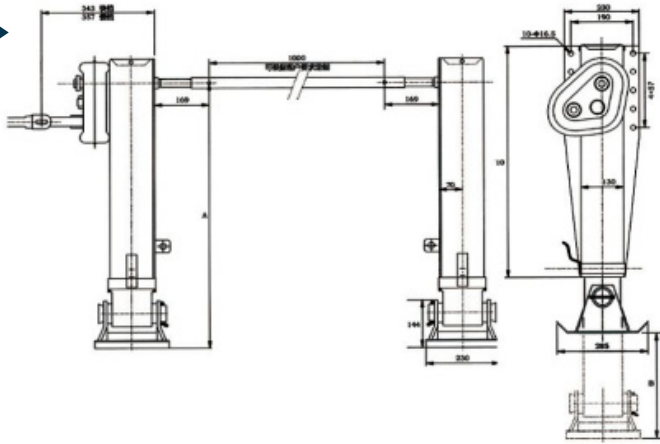
NINGBO JIULONG INTERNATIONAL CO.,LTD.

LANDING GEAR



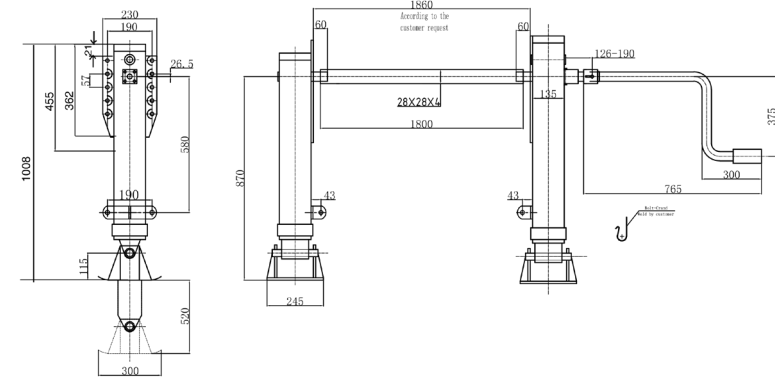
BE WITH US, BE WITH SAFETY

JLLG28000A



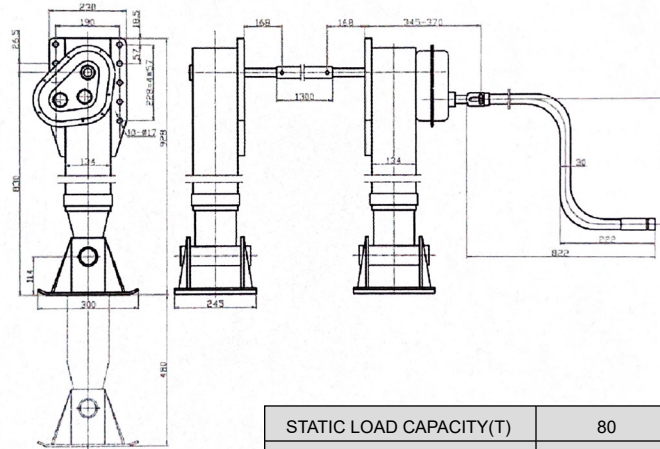
STATIC LOAD CAPACITY(T)	80
LIFING CAPACITY(T)	28
HIGH GEAR(mm)	5.4
LOW GEAR(mm)	0.7
TRAVEL MAX(mm)	480
HEIGHT(mm)	840
WEIGHT(KG)	96

JLLG28000B



STATIC LOAD CAPACITY(T)	80
LIFING CAPACITY(T)	28
HIGH GEAR(mm)	5.4
LOW GEAR(mm)	0.7
TRAVEL MAX(mm)	520
HEIGHT(mm)	850
WEIGHT(KG)	98

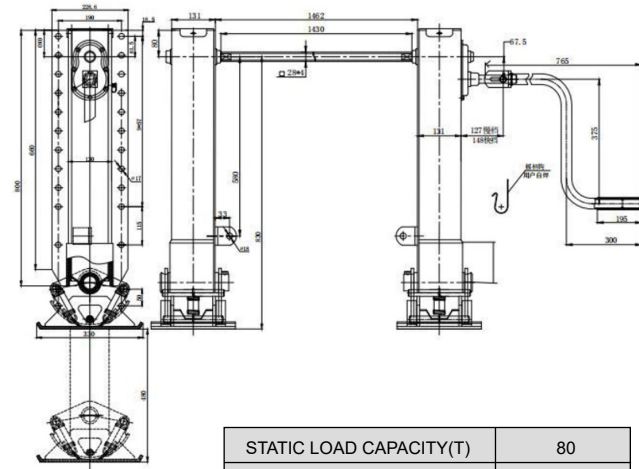
JLLG28000C



STATIC LOAD CAPACITY(T)	80
LIFING CAPACITY(T)	28
HIGH GEAR(mm)	5.42
LOW GEAR(mm)	0.72
TRAVEL MAX(mm)	17"/19"
HEIGHT(mm)	780/830
CRANK FORCE(KG)	25
WEIGHT(KG)	100

- Double speed designed.
- Lead screw is rolled forming with extra-duty feature steel.
- Quality grease can bear hot and cold condition.
- Gears are quality forging instead of weak casting.
- Surface powder coating, delicate, Water-proof and Rust-proof.
- Quality control system guarantee best quality.
- Static load, lift test and drop test accord with ABS specification.

JLLG28000D



STATIC LOAD CAPACITY(T)	80
LIFING CAPACITY(T)	28
HIGH GEAR(mm)	8.5
LOW GEAR(mm)	0.95
TRAVEL MAX(mm)	480
HEIGHT(mm)	830
WEIGHT(KG)	112